

# MAX 26 M2 0,37kW Zone 1: FAN (Ex h IIB+H2 T4 Gb) + MOTOR (Ex db IIC T4 Gb) (253300104XD)

## GENERAL DATA



CENTRIFUGAL MEDIUM PRESSURE ATEX FAN

### MANUFACTURING FEATURES

- Cast aluminium housing.
- Cast aluminium impeller.
- Polyester powder finishing coat.
- ATEX standard asynchronous motor. ATEX certified according to the zone. IP55 protection and class F insulation. Manufactured with standard voltages: 230/400V 50Hz for three phase motors.

- Available positions (to be indicated in case of order): LG270, LG0, LG45, LG90, LG135, LG180, LG315.
- The indicated codes correspond to the model in position LG270

### APPLICATIONS

Designed for inline installation, they are suitable for:

- Ventilation in indoor environments classified as ATEX
- Working temperature: ambient from -20°C to 40°C, transported air according to the ATEX classification.

### UNDER REQUEST

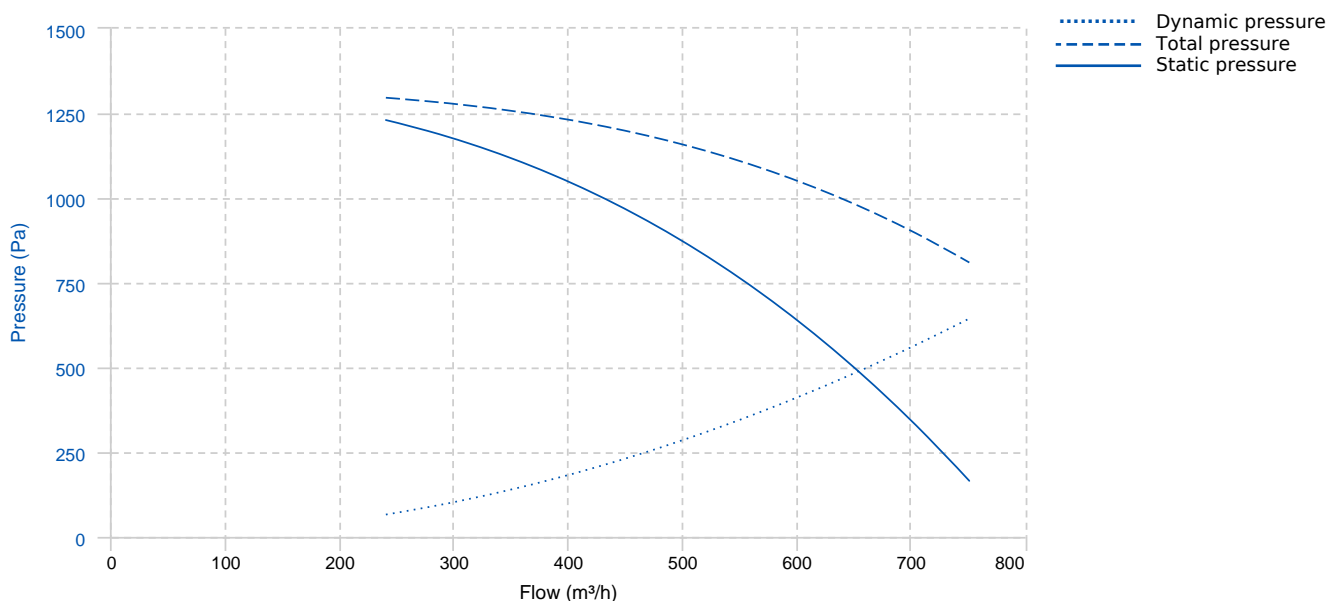
- 60Hz fans and special voltages.

ORGANISM: L.O.M.

CERTIFICAT N°: LOM 17.407N-C

In compliance with the Directive 2014/34/UE

## PERFORMANCE CURVE

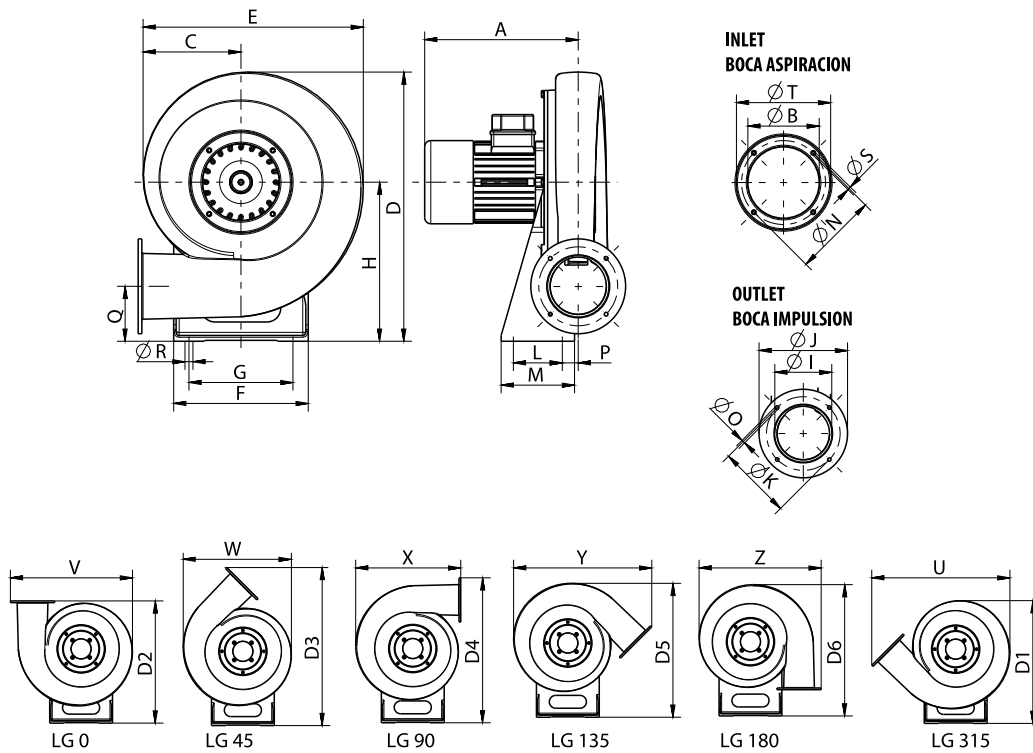


## TECHNICAL DATA

### Fan

RPM	-	Approx. weight	13 kg	Max. Flow	760 m <sup>3</sup> /h
-----	---	----------------	-------	-----------	-----------------------

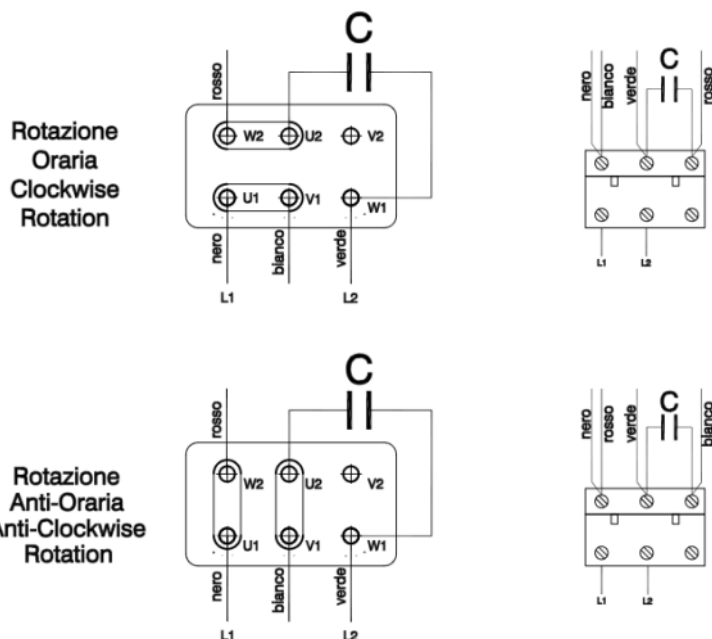
## DIMENSIONS



### Dimensions (mm)

A	240	BØ	110	C	162	D	413	D1	405
D2	402	D3	519	D4	473	D5	440	D6	431
E	353	F	210	G	160	H	240	IØ	90
J	140	L	65	M	105	NØ	132	OØ	6.2
P	18.5	Q	77	RØ	13	SØ	M6	TØ	152
U	460	V	406	W	363	X	353	Y	460
Z	406	ØK	119						

## WIRING DIAGRAM



## ACCESSORIES



**INLET PROTECTION GUARD FOR CENTRIFUGAL FANS**  
RA 12/5  
REF: A-253061901



**ANTI-VIBRATING FLANGE 400<sup>ø</sup>/2H**  
BA-400 10/12  
REF: 960002068



**ANTI-VIBRATION JOINT**  
JE 45  
REF: A-300719201



**CONNECTION FLANGE**  
AC 100  
REF: 960003202



**OUTLET PROTECTION GUARD**  
RBS 26  
REF: A-960000379



**ATEX SWITCH**  
INT 16 ATEX  
REF: 510200016X



**ANTI-VIBRATION RUBBER BLOCK**  
AVR (GENERIC)



**ANTI-VIBRATION SPRING BLOCK**  
AVS (GENERIC)



**ACOUSTIC CABINS FOR CENTRIFUGAL FANS  
AB (GENERIC)**