

# MAX 28 T2 1,1kW Zone 2: FAN (Ex h IIB T3 Gc) + MOTOR (Ex ec IIC T3 Gc) (300840800XN)

## GENERAL DATA



CENTRIFUGAL MEDIUM PRESSURE ATEX FAN

### MANUFACTURING FEATURES

- Cast aluminium housing.
- Cast aluminium impeller.
- Polyester powder finishing coat.
- ATEX standard asynchronous motor. ATEX certified according to the zone. IP55 protection and class F insulation. Manufactured with standard voltages: 230/400V 50Hz for three phase motors.

- Available positions (to be indicated in case of order): LG270, LG0, LG45, LG90, LG135, LG180, LG315.
- The indicated codes correspond to the model in position LG270

### APPLICATIONS

Designed for inline installation, they are suitable for:

- Ventilation in indoor environments classified as ATEX
- Working temperature: ambient from -20°C to 40°C, transported air according to the ATEX classification.

### UNDER REQUEST

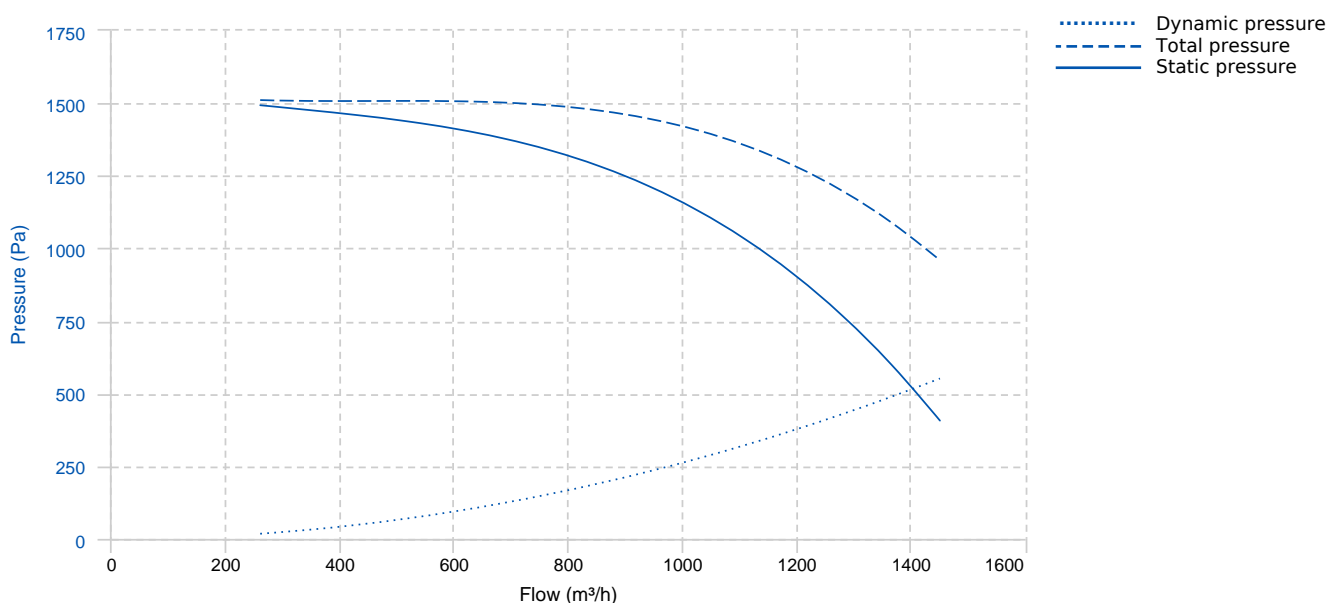
- 60Hz fans and special voltages.

ORGANISM: L.O.M.

CERTIFICAT N°: LOM 17.407N-C

In compliance with the Directive 2014/34/UE

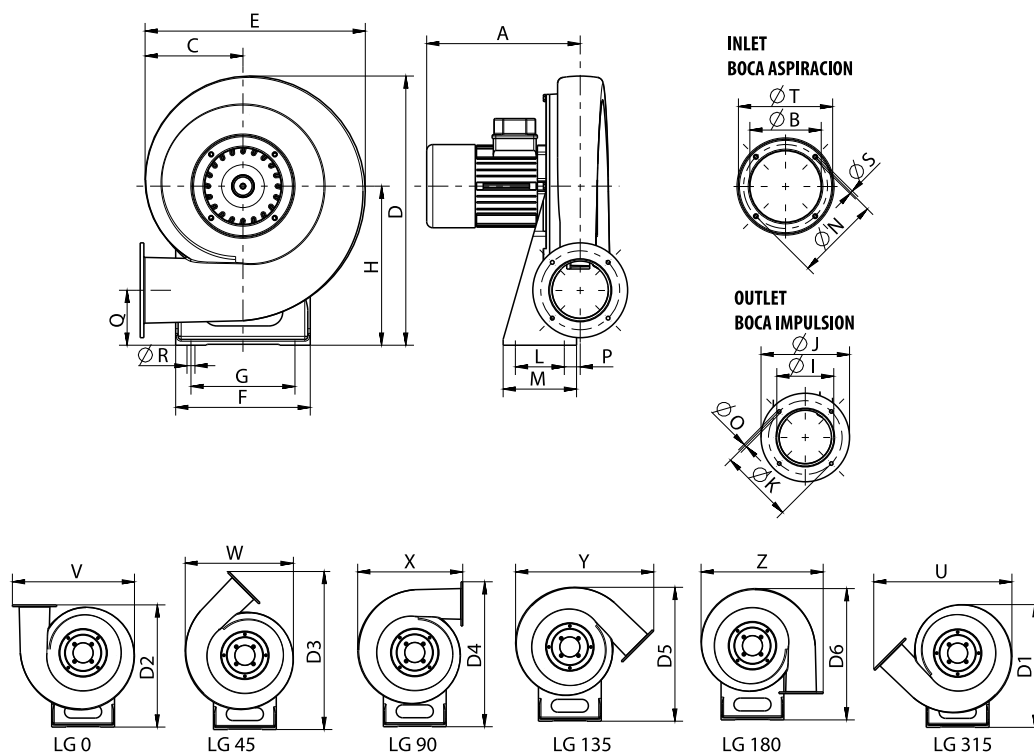
## PERFORMANCE CURVE



## TECHNICAL DATA

Fan							
RPM	2830	Approx. weight	20 kg	Max. Flow	1460 m <sup>3</sup> /h		
Motor							
Power	1,1 kW	RPM	2830	I max. (400V)	2,6 A	Size	80
Approx. weight	11 kg	Efficiency (%)	72 %	FP	0.86		

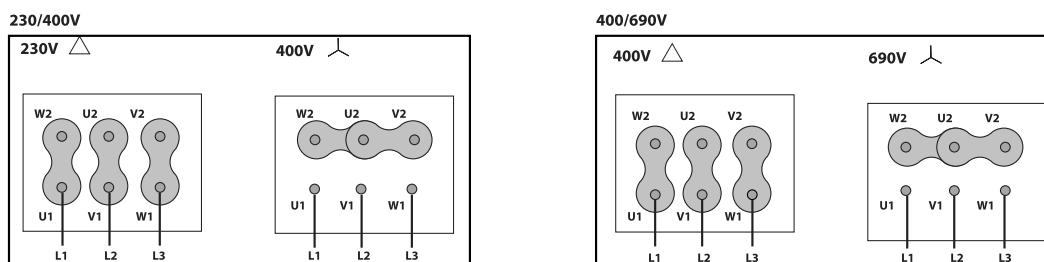
## DIMENSIONS



### Dimensions (mm)

A	275	BØ	125	C	168	D	440	D1	470
D2	468	D3	605	D4	558	D5	516	D6	505
E	393	F	230	G	166	H	290	J	182
KØ	160	L	100	M	140	NØ	162	OØ	10,2
P	20	Q	113	RØ	13	SØ	M6	TØ	187
U	518	V	460	W	406	X	393	Y	518
Z	460	ØI	134,5						

## WIRING DIAGRAM



## ACCESSORIES



**INLET PROTECTION GUARD FOR CENTRIFUGAL FANS**  
**RA 14/5**  
**REF: A-253101901**



**ANTI-VIBRATION JOINT**  
**JE 45**  
**REF: A-300719201**



**OUTLET PROTECTION GUARD**  
**RBS 28**  
**REF: A-960000382**



**ATEX SWITCH**  
**INT 16 ATEX**  
**REF: 510200016X**



**FREQUENCY SPEED CONTROLLER**  
**SFC 400 III 3,6A \***  
**REF: SFC400III4**



**ANTI-VIBRATION SPRING BLOCK**  
**AVS (GENERIC)**



**ANTI-VIBRATING FLANGE 400<sup>ø</sup>/2H**  
**BA-400 15/16**  
**REF: 960002067**



**CONNECTION FLANGE**  
**AC 130**  
**REF: 960003203**



**CIRCULAR-CIRCULAR ANTI-VIBRATION FLANGE**  
**BAD 3 (Ø130)**  
**REF: 960003453**



**FREQUENCY SPEED CONTROLLER**  
**SFC 230 I 7A \***  
**REF: SFC230I007**



**ANTI-VIBRATION RUBBER BLOCK**  
**AVR (GENERIC)**



**ACOUSTIC CABINS FOR CENTRIFUGAL FANS**  
**AB (GENERIC)**



## SPARE PARTS

	Code	Model	Qty
1	R-153503651	IMPELLER MA28 LG	x1
3	R-153501771	CASING MA28	x1
4	R-153501751	BASE SUPPORT MOTOR MA28	x1