

## MB 14/5 M2 0,25kW (253100103)

### GENERAL DATA



#### MEDIUM PRESSURE CENTRIFUGAL FAN WITH FORWARD IMPELLER

##### MANUFACTURING FEATURES:

- Rolling steel sheet housing.
  - Completely joined or welded housing.
  - Galvanised steel sheet simple inlet forward curved impeller.
  - Polyester powder finishing coat.
  - Standard asynchronous squirrel-cage motor with IP-55 protection and Class F insulation.
- Manufactured with standard voltages: 230V 50Hz in single phase motors and 230/400V 50Hz in three phase motors.

- Available positions (to be indicated in case of order): LG270, LG0, LG45, LG90, LG135, LG180, LG225, LG315, RD0, RD45, RD90, RD135, RD180, RD225, RD270, RD315.
- The indicated codes correspond to the model in position LG270

##### APPLICATIONS:

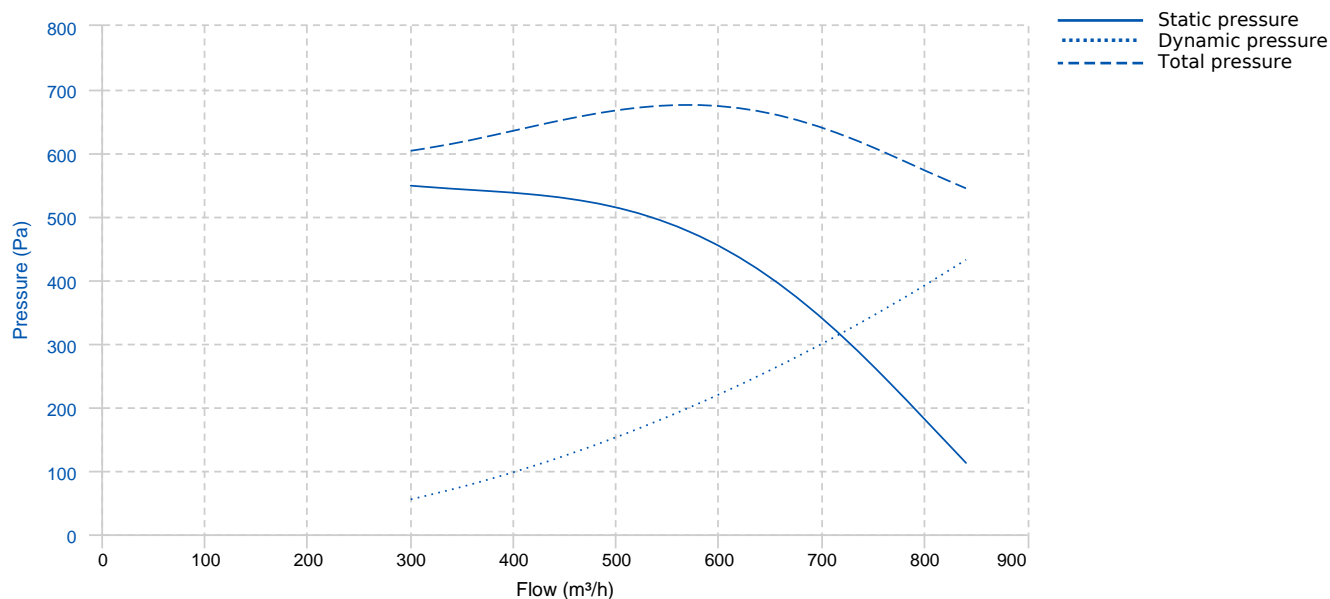
Designed for inline installation, they are suitable for:

- Industrial applications, extraction or injection of air.
- Cooling of machines and parts.
- Suitable for transporting totally clean air without dust.
- Maximum working temperature: carried air: 130°C, environment single phase 50°C, three phase 60°C.

##### UNDER REQUEST:

- Special voltages.
- 2 speed motors (three phase motors).
- Fan for air working temperatures up to 250°C.
- Fans provided with cooling disk for high temperature.
- Option with support for models where it is not included, and without support for models where it is included.

## PERFORMANCE CURVE



## TECHNICAL DATA

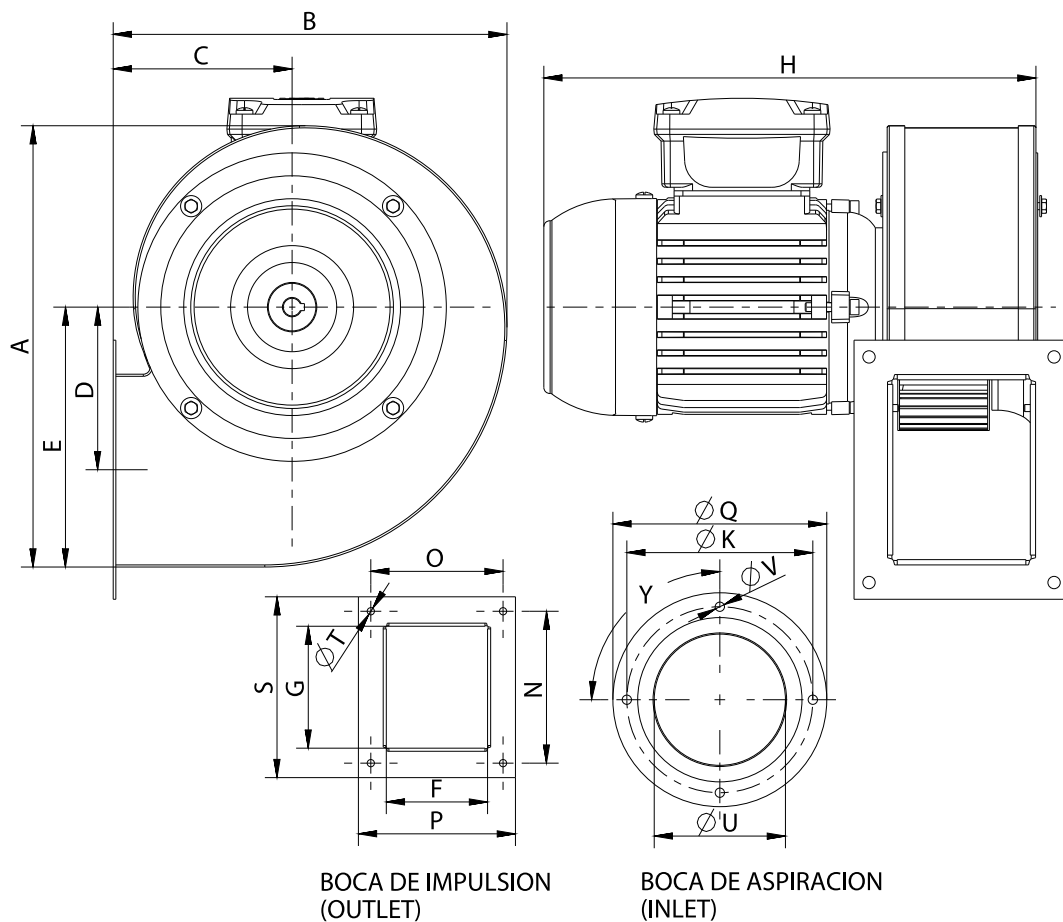
### Fan

RPM	2790	Approx. weight	7 kg	Max. Flow	840 m³/h
-----	------	----------------	------	-----------	----------

### Motor

Power	0,25 kW	RPM	2790	Capacitor	10µF 450V	I max. (230V)	1,77 A
Size	63	Approx. weight	4.5 kg	Efficiency (%)	64,8 %	FP	0,95

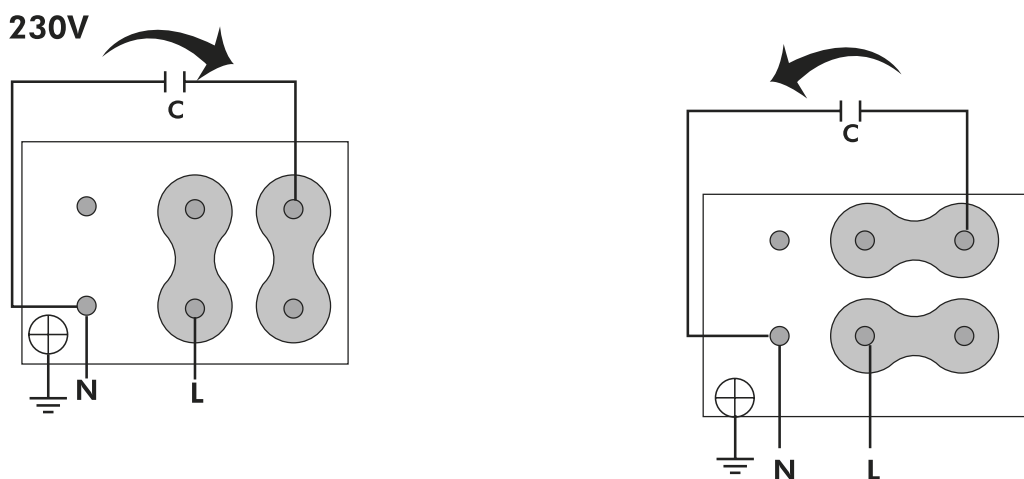
## DIMENSIONS



### Dimensions (mm)

A	250,5	B	223	C	102	D	93	E	147,5
F	78	G	102	H	278	K	162	N	128
O	105	P	122	Q	175	S	147	TØ	7
UØ	115	VØ	7	Y	4x90°				

### WIRING DIAGRAM



## ACCESSORIES



**SAFETY SWITCH**  
**INT 25 3P A**  
REF: INT253PA



**CIRCULAR OUTLET CONNECTION FLANGE**  
**EI 14/5**  
REF: 962140111



**ANTI-VIBRATION JOINT**  
**JE 45**  
REF: 300719201



**OUTLET PROTECTION GUARD**  
**RBS 14/5**  
REF: 960000353



**INLET PROTECTION GUARD FOR CENTRIFUGAL FANS**  
**RA 14/5**  
REF: 253101901



**ANTI-VIBRATING FLANGE 400<sup>ø</sup>/2H**  
**BA-400 15/16**  
REF: 960002067

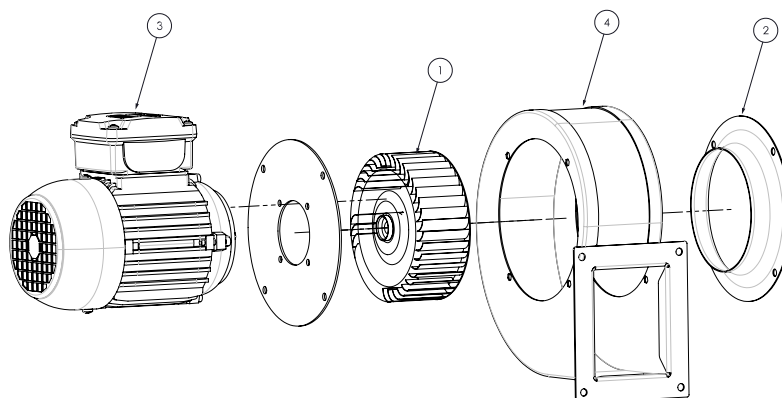


**CONNECTION FLANGE**  
**AC 130**  
REF: 960003203



**ACOUSTIC CABINS FOR CENTRIFUGAL FANS**  
**AB (GENERIC)**

## SPARE PARTS



	Code	Model	Qty
1	R-253109381	TURBINE GALV.146X52X11 LG	x1
2	R-253101681	INLET CONE MB14/5	x1
3	720301029	MOTOR 0,25kW M2 B14 230V	x1
4	R-253109421	CASING MB 14/5	x1