

MB 14/5 T4 0,08kW (253090106)

GENERAL DATA



MEDIUM PRESSURE CENTRIFUGAL FAN WITH FORWARD IMPELLER

MANUFACTURING FEATURES:

- Rolling steel sheet housing.
 - Completely joined or welded housing.
 - Galvanised steel sheet simple inlet forward curved impeller.
 - Polyester powder finishing coat.
 - Standard asynchronous squirrel-cage motor with IP-55 protection and Class F insulation.
- Manufactured with standard voltages: 230V 50Hz in single phase motors and 230/400V 50Hz in three phase motors.

- Available positions (to be indicated in case of order): LG270, LG0, LG45, LG90, LG135, LG180, LG225, LG315, RD0, RD45, RD90, RD135, RD180, RD225, RD270, RD315.
- The indicated codes correspond to the model in position LG270

APPLICATIONS:

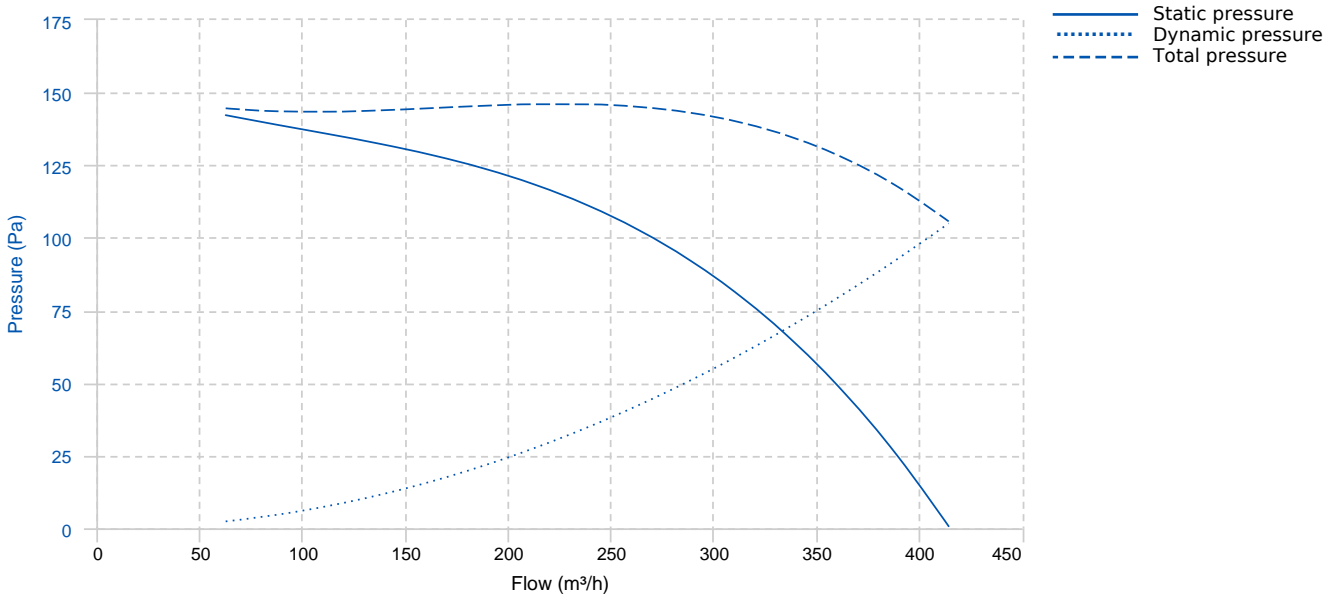
Designed for inline installation, they are suitable for:

- Industrial applications, extraction or injection of air.
- Cooling of machines and parts.
- Suitable for transporting totally clean air without dust.
- Maximum working temperature: carried air: 130°C, environment single phase 50°C, three phase 60°C.

UNDER REQUEST:

- Special voltages.
- 2 speed motors (three phase motors).
- Fan for air working temperatures up to 250°C.
- Fans provided with cooling disk for high temperature.
- Option with support for models where it is not included, and without support for models where it is included.

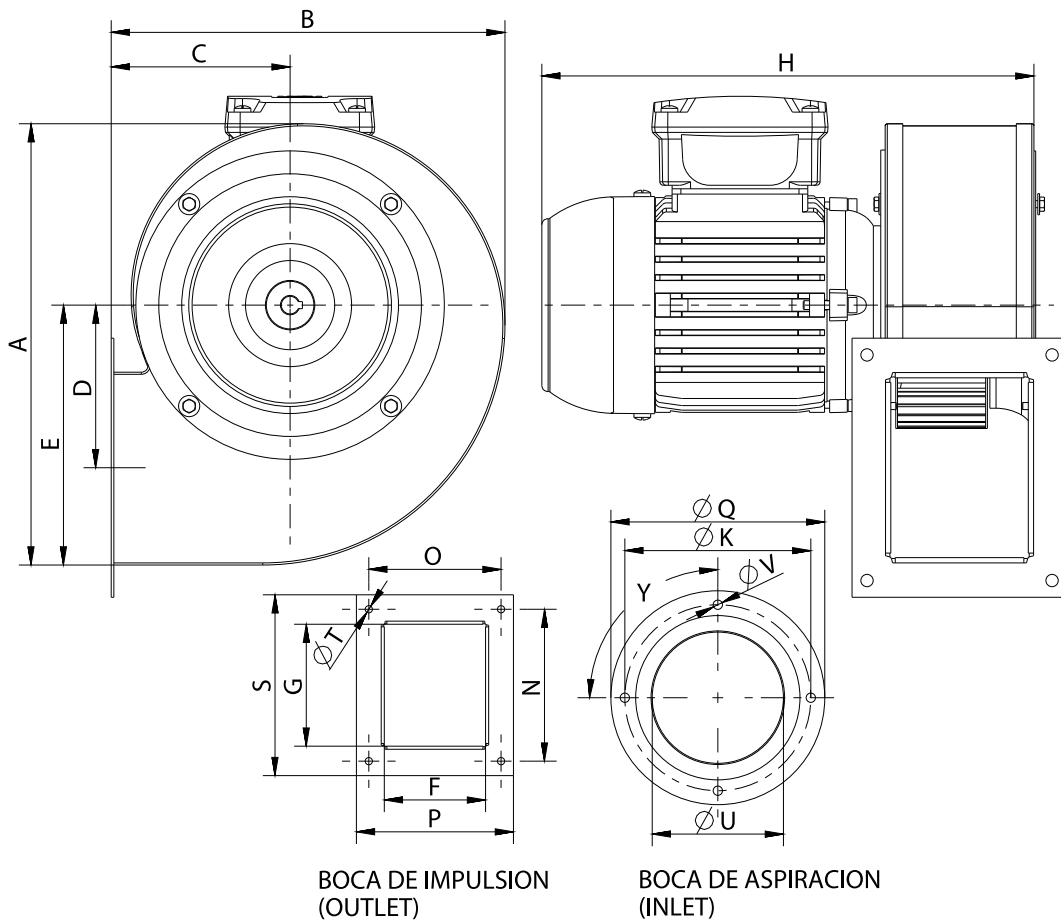
PERFORMANCE CURVE



TECHNICAL DATA

Fan							
RPM	1400	Approx. weight	6 kg	Max. Flow	414 m³/h		
Motor							
Power	0,08 kW	RPM	1400	I max. (230V)	0,47 A	I max. (400V)	0,27 A
Approx. weight	5 kg						

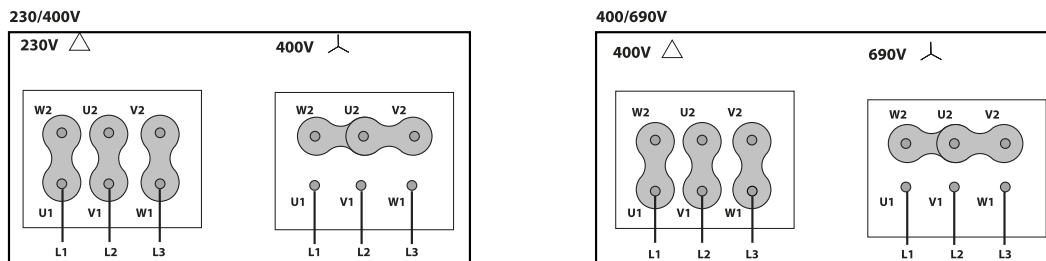
DIMENSIONS



Dimensions (mm)

A	250,5	B	223	C	102	D	93	E	147,5
F	78	G	102	H	278	K	162	N	128
O	105	P	122	Q	175	S	147	TØ	7
UØ	115	VØ	7	Y	4x90°				

WIRING DIAGRAM



ACCESSORIES



SAFETY SWITCH
INT 25 3P A
REF: INT253PA



INLET PROTECTION GUARD FOR CENTRIFUGAL FANS
RA 14/5
REF: A-253101901



CIRCULAR OUTLET CONNECTION FLANGE
EI 14/5
REF: 962140111



ANTI-VIBRATING FLANGE 400^ø/2H
BA-400 15/16
REF: 960002067



ANTI-VIBRATION JOINT
JE 45
REF: 300719201



CONNECTION FLANGE
AC 130
REF: 960003203



OUTLET PROTECTION GUARD
RBS 14/5
REF: A-960000353



FREQUENCY SPEED CONTROLLER
SFC 230 I 2,5A *
REF: SFC230I003

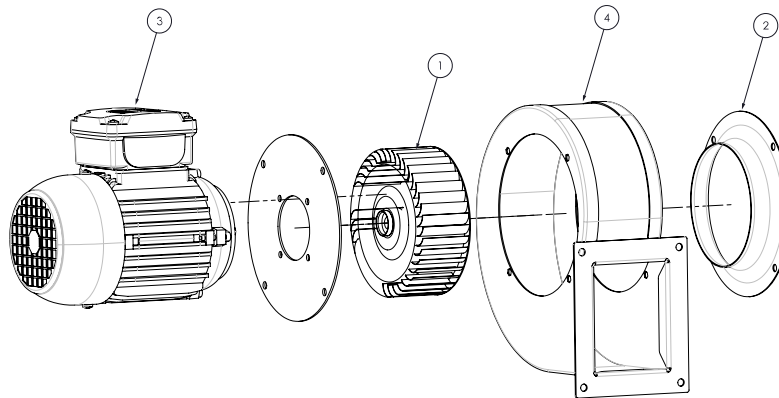


FREQUENCY SPEED CONTROLLER
SFC 400 III 1,2A *
REF: SFC400III1



ACOUSTIC CABINS FOR CENTRIFUGAL FANS
AB (GENERIC)

SPARE PARTS



	Code	Model	Qty
1	R-253109388	TURBINE GALV.146X52X9 LG	x1
2	R-253101681	INLET CONE MB14/5	x1
3	721001100	MOTOR 0,08kW T4 B14 230/400V	x1
4	R-253109421	CASING MB 14/5	x1