

MB 16/6 T4 0,08kW (253150106)

GENERAL DATA



MEDIUM PRESSURE CENTRIFUGAL FAN WITH FORWARD IMPELLER

MANUFACTURING FEATURES:

- Rolling steel sheet housing.
 - Completely joined or welded housing.
 - Galvanised steel sheet simple inlet forward curved impeller.
 - Polyester powder finishing coat.
 - Standard asynchronous squirrel-cage motor with IP-55 protection and Class F insulation.
- Manufactured with standard voltages: 230V 50Hz in single phase motors and 230/400V 50Hz in three phase motors.

- Available positions (to be indicated in case of order): LG270, LG0, LG45, LG90, LG135, LG180, LG225, LG315, RD0, RD45, RD90, RD135, RD180, RD225, RD270, RD315.
- The indicated codes correspond to the model in position LG270

APPLICATIONS:

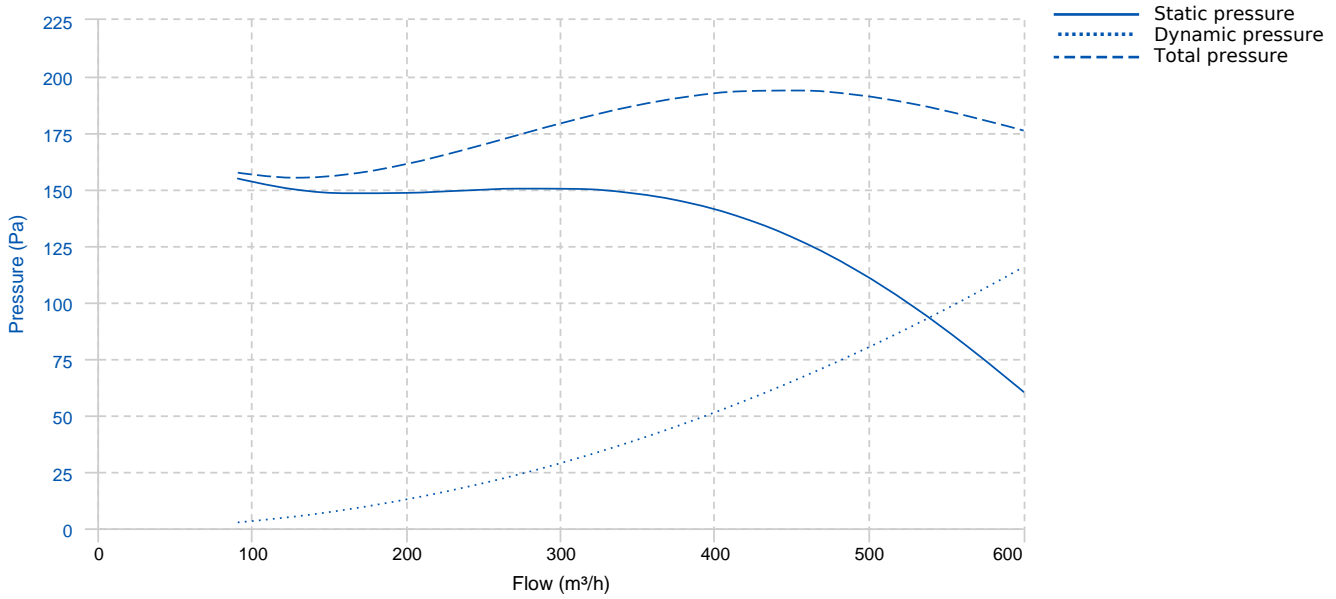
Designed for inline installation, they are suitable for:

- Industrial applications, extraction or injection of air.
- Cooling of machines and parts.
- Suitable for transporting totally clean air without dust.
- Maximum working temperature: carried air: 130°C, environment single phase 50°C, three phase 60°C.

UNDER REQUEST:

- Special voltages.
- 2 speed motors (three phase motors).
- Fan for air working temperatures up to 250°C.
- Fans provided with cooling disk for high temperature.
- Option with support for models where it is not included, and without support for models where it is included.

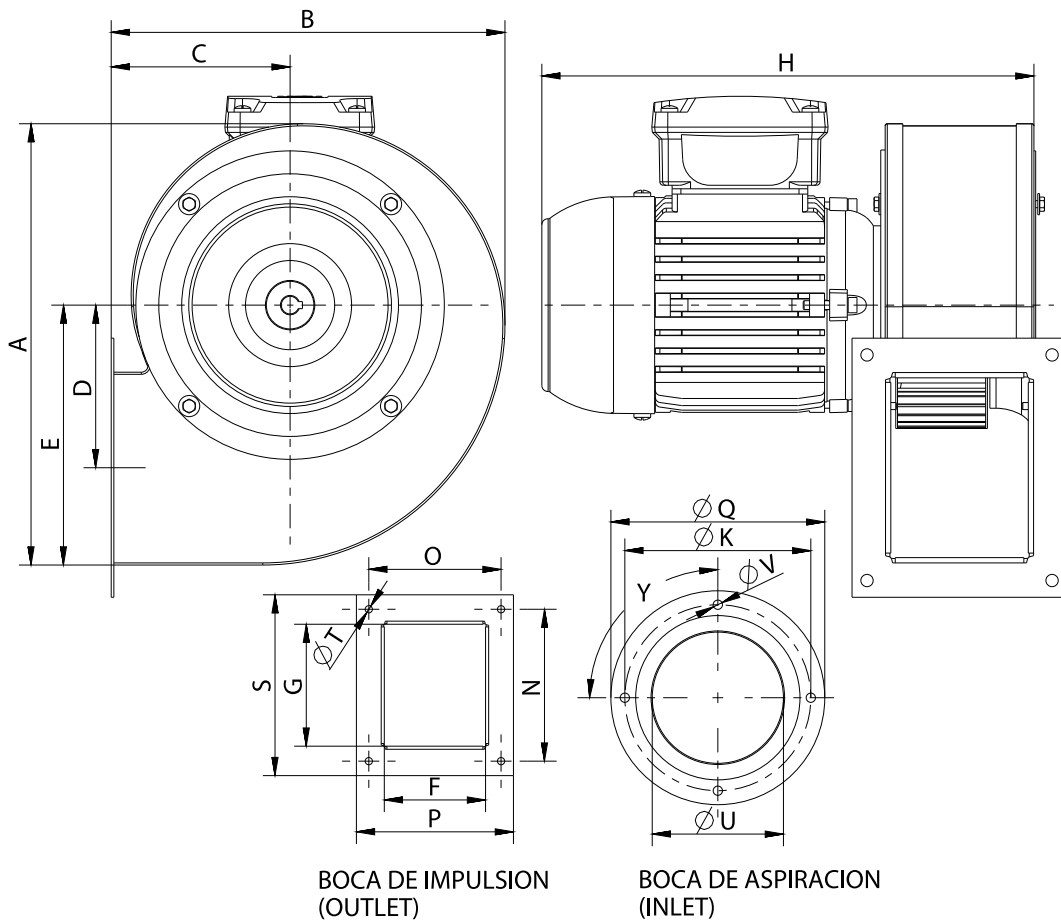
PERFORMANCE CURVE



TECHNICAL DATA

| Fan | | | | | | | |
|----------------|---------|----------------|--------|---------------|----------|---------------|--------|
| RPM | 1400 | Approx. weight | 7.5 kg | Max. Flow | 600 m³/h | | |
| Motor | | | | | | | |
| Power | 0,08 kW | RPM | 1400 | I max. (230V) | 0,47 A | I max. (400V) | 0,27 A |
| Approx. weight | 5 kg | | | | | | |

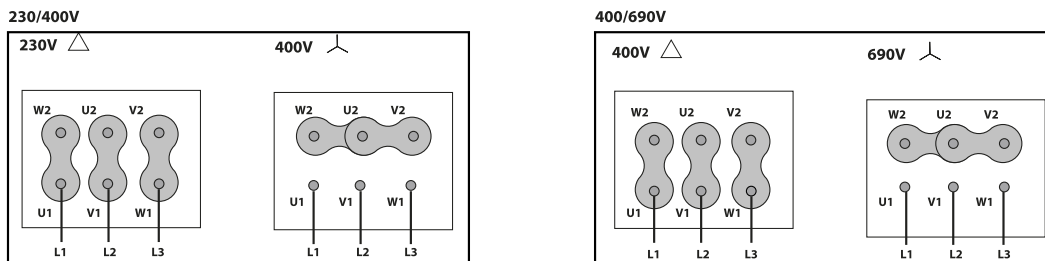
DIMENSIONS



Dimensions (mm)

| | | | | | | | | | |
|----|-----|----|-----|---|-------|---|-------|----|-------|
| A | 295 | B | 266 | C | 119 | D | 108,5 | E | 171,5 |
| F | 98 | G | 118 | H | 298 | K | 180 | N | 147 |
| O | 128 | P | 152 | Q | 207 | S | 175 | TØ | 7 |
| UØ | 127 | VØ | 9 | Y | 4x90° | | | | |

WIRING DIAGRAM



ACCESSORIES



SAFETY SWITCH
INT 25 3P A
REF: INT253PA



INLET PROTECTION GUARD FOR CENTRIFUGAL FANS
RA 16/6
REF: A-253111901



CIRCULAR OUTLET CONNECTION FLANGE
EI 16/6
REF: 962160111



ANTI-VIBRATING FLANGE 400^ø/2H
BA-400 15/16
REF: 960002067



ANTI-VIBRATION JOINT
JE 45
REF: 300719201



CONNECTION FLANGE
AC 150
REF: 960003204



OUTLET PROTECTION GUARD
RBS 16/6
REF: A-960000354



FREQUENCY SPEED CONTROLLER
SFC 230 I 2,5A *
REF: SFC230I003

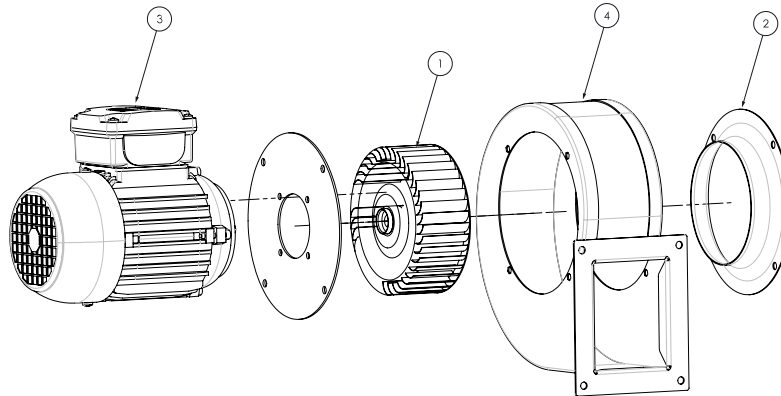


FREQUENCY SPEED CONTROLLER
SFC 400 III 1,2A *
REF: SFC400III1



ACOUSTIC CABINS FOR CENTRIFUGAL FANS
AB (GENERIC)

SPARE PARTS



| | Code | Model | Qty |
|---|-------------|------------------------------|-----|
| 1 | R-253169388 | TURBINE GALV.160X62X9 LG | x1 |
| 2 | R-253111681 | INLET CONE MB16/6 | x1 |
| 3 | 721001100 | MOTOR 0,08kW T4 B14 230/400V | x1 |
| 4 | R-253119421 | CASING MB 16/6 | x1 |