

MBX 12/5 T4 0,09kW Zone 1: FAN (Ex h IIB+H2 T4 Gb) + MOTOR (Ex eb IIC T4 Gb) (253080106XE)

GENERAL DATA



CENTRIFUGAL MEDIUM PRESSURE ATEX FAN

MANUFACTURING FEATURES

- Rolling steel sheet housing.
- Completely joined or welded housing.
- Simple inlet forward curved impeller made of aluminium sheet.
- Polyester powder finishing coat.
- Inlet sparkproof ring made of copper or aluminium.
- ATEX standard asynchronous motor. ATEX certified according to the zone. IP55 protection, and class F insulation. Manufactured with standard voltages: 230V 50Hz for single phase motors, 230/400V 50Hz for three phase motors up to 4kW and 400/690V 50Hz for higher powers.

- Available positions (to be indicated in case of order): LG270, LG0, LG45, LG90, LG135, LG180, LG225, LG315, RD0, RD45, RD90, RD135, RD180, RD225, RD270, RD315.
- The indicated codes correspond to the model in position LG270

APPLICATIONS

Designed for inline installation, they are suitable for:

- Ventilation in indoor environments classified as ATEX
- Working temperature: ambient from -20°C to 40°C, transported air according to the ATEX classification.
- Suitable for transporting totally clean air without dust.

UNDER REQUEST

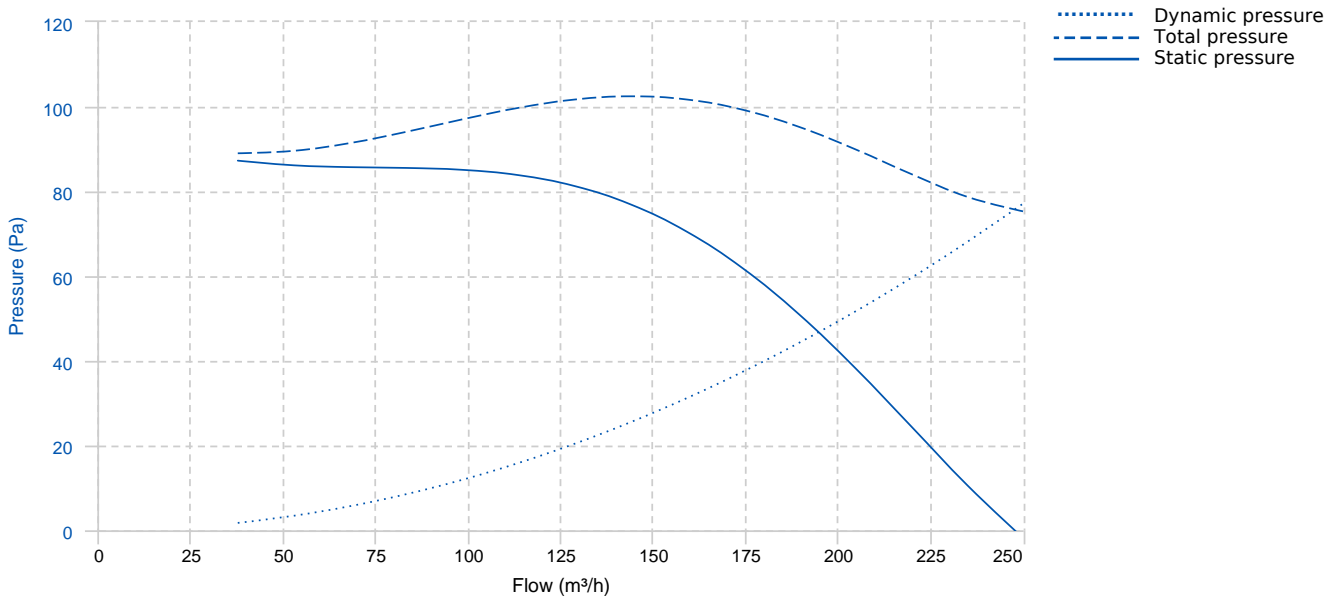
- 60Hz fans and special voltages.

ORGANISM: L.O.M.

CERTIFICAT N°: LOM 17.407N-C

In compliance with the Directive 2014/34/UE

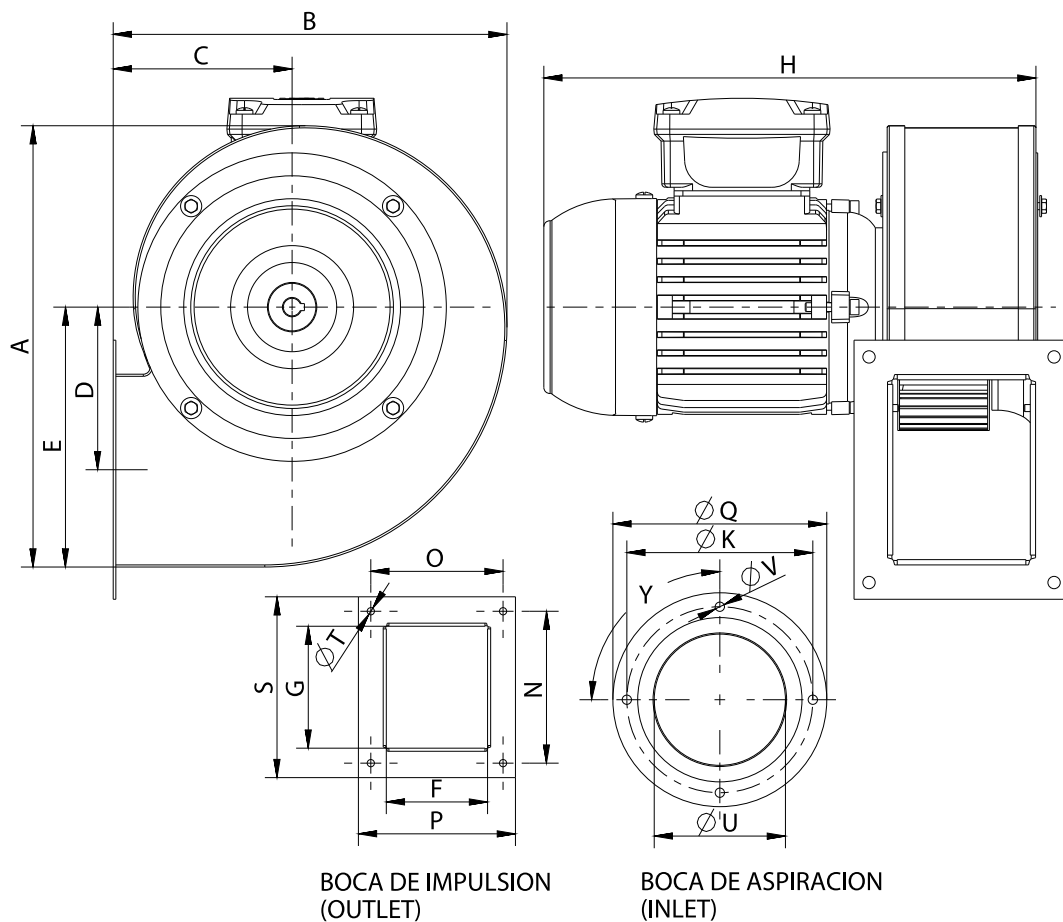
PERFORMANCE CURVE



TECHNICAL DATA

Fan							
RPM	1450	Approx. weight	5 kg	Max. Flow	250 m³/h		
Motor							
Power	0,09 kW	RPM	1346	I max. (230V)	0,57 A	I max. (400V)	0,33 A
Size	56	Approx. weight	3.7 kg	Efficiency (%)	60,7 %	FP	0.65

DIMENSIONS



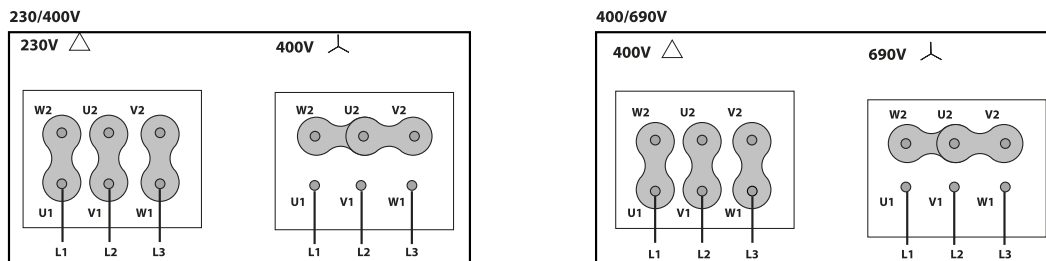
BOCA DE IMPULSION
(OUTLET)

BOCA DE ASPIRACION
(INLET)

Dimensions (mm)

A	205,5	B	187	C	87	D	71,5	E	117
F	72	G	81,7	H	251	K	135	N	105
O	93	P	106	Q	150	S	118	TØ	7
UØ	92,5	VØ	7	Y	4x90°				

WIRING DIAGRAM



ACCESSORIES



INLET PROTECTION GUARD FOR CENTRIFUGAL FANS
RA 12/5
REF: A-253061901



CIRCULAR OUTLET CONNECTION FLANGE
EI 12/5
REF: 962120111



ANTI-VIBRATING FLANGE 400°/2H
BA-400 10/12
REF: 960002068



ANTI-VIBRATION JOINT
JE 45
REF: A-300719201



CONNECTION FLANGE
AC 100
REF: 960003202



OUTLET PROTECTION GUARD
RBS 12/5
REF: A-960000352



ATEX SWITCH
INT 16 ATEX
REF: 510200016X



FREQUENCY SPEED CONTROLLER
SFC 230 I 2,5A *
REF: SFC230I003



FREQUENCY SPEED CONTROLLER
SFC 400 III 1,2A *
REF: SFC400III1



ACOUSTIC CABINS FOR CENTRIFUGAL FANS
AB (GENERIC)