

## MBX 14/5 T4 0,09kW Zone 1: FAN (Ex h IIB+H2 T4 Gb) + MOTOR (Ex eb IIC T4 Gb) (253090106XE)

### GENERAL DATA



CENTRIFUGAL MEDIUM PRESSURE ATEX FAN

#### MANUFACTURING FEATURES

- Rolling steel sheet housing.
- Completely joined or welded housing.
- Simple inlet forward curved impeller made of aluminium sheet.
- Polyester powder finishing coat.
- Inlet sparkproof ring made of copper or aluminium.
- ATEX standard asynchronous motor. ATEX certified according to the zone. IP55 protection, and class F insulation. Manufactured with standard voltages: 230V 50Hz for single phase motors, 230/400V 50Hz for three phase motors up to 4kW and 400/690V 50Hz for higher powers.

- Available positions (to be indicated in case of order): LG270, LG0, LG45, LG90, LG135, LG180, LG225, LG315, RD0, RD45, RD90, RD135, RD180, RD225, RD270, RD315.
- The indicated codes correspond to the model in position LG270

#### APPLICATIONS

Designed for inline installation, they are suitable for:

- Ventilation in indoor environments classified as ATEX
- Working temperature: ambient from -20°C to 40°C, transported air according to the ATEX classification.
- Suitable for transporting totally clean air without dust.

#### UNDER REQUEST

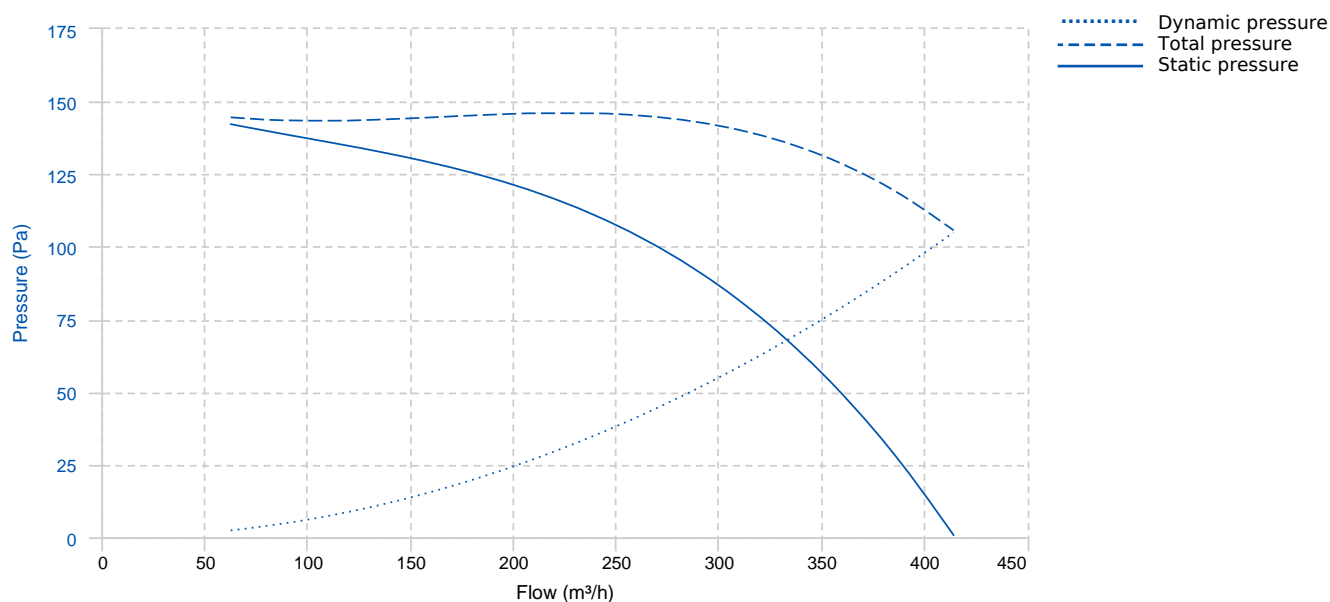
- 60Hz fans and special voltages.

ORGANISM: L.O.M.

CERTIFICAT N°: LOM 17.407N-C

In compliance with the Directive 2014/34/UE

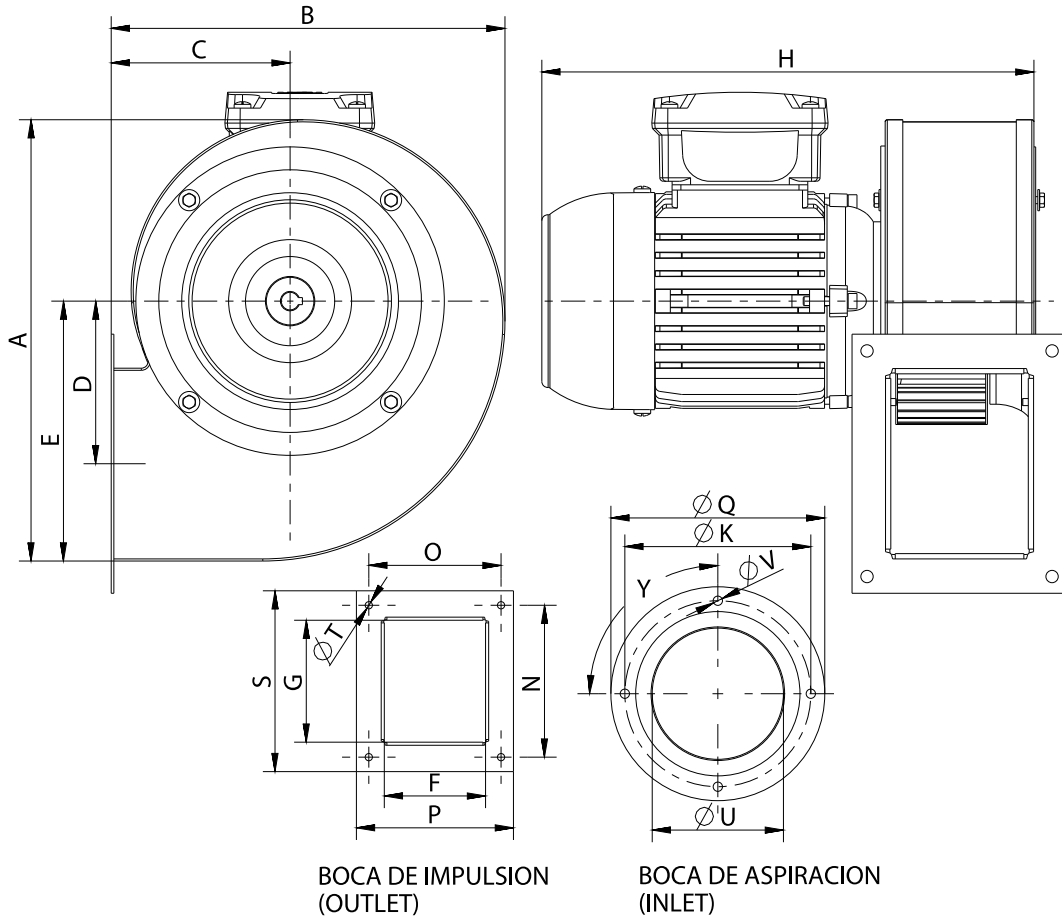
## PERFORMANCE CURVE



## TECHNICAL DATA

Fan							
RPM	1450	Approx. weight	6 kg	Max. Flow	414 m³/h		
Motor							
Power	0,09 kW	RPM	1346	I max. (230V)	0,57 A	I max. (400V)	0,33 A
Size	56	Approx. weight	3.7 kg	Efficiency (%)	60,7 %	FP	0.65

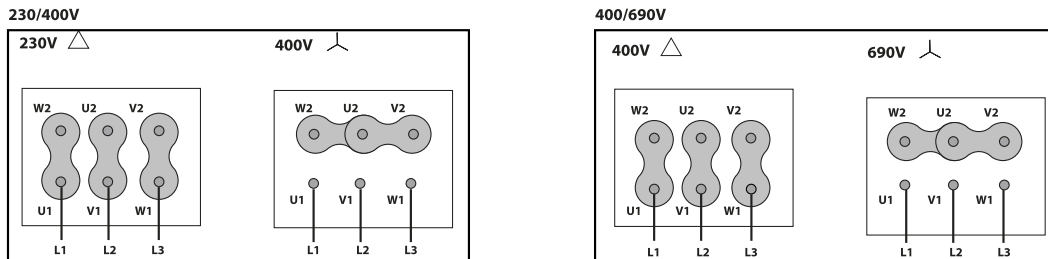
## DIMENSIONS



### Dimensions (mm)

A	250,5	B	223	C	102	D	93	E	147,5
F	78	G	102	H	278	K	162	N	128
O	105	P	122	Q	175	S	147	TØ	7
UØ	115	VØ	7	Y	4x90°				

### WIRING DIAGRAM



## ACCESSORIES



**INLET PROTECTION GUARD FOR CENTRIFUGAL FANS**  
**RA 14/5**  
REF: A-253101901



**CIRCULAR OUTLET CONNECTION FLANGE**  
**EI 14/5**  
REF: 962140111



**ANTI-VIBRATING FLANGE 400<sup>ø</sup>/2H**  
**BA-400 15/16**  
REF: 960002067



**ANTI-VIBRATION JOINT**  
**JE 45**  
REF: A-300719201



**CONNECTION FLANGE**  
**AC 130**  
REF: 960003203



**OUTLET PROTECTION GUARD**  
**RBS 14/5**  
REF: A-960000353



**ATEX SWITCH**  
**INT 16 ATEX**  
REF: 510200016X



**FREQUENCY SPEED CONTROLLER**  
**SFC 230 I 2,5A \***  
REF: SFC230I003



**FREQUENCY SPEED CONTROLLER**  
**SFC 400 III 1,2A \***  
REF: SFC400III1



**ACOUSTIC CABINS FOR CENTRIFUGAL FANS**  
**AB (GENERIC)**