

MBX 16/6 T2 0,37kW Zone 2: FAN (Ex h IIB T3 Gc) + MOTOR (Ex ec IIC T3 Gc) (253110106XN)

GENERAL DATA



CENTRIFUGAL MEDIUM PRESSURE ATEX FAN

MANUFACTURING FEATURES

- Rolling steel sheet housing.
- Completely joined or welded housing.
- Simple inlet forward curved impeller made of aluminium sheet.
- Polyester powder finishing coat.
- Inlet sparkproof ring made of copper or aluminium.
- ATEX standard asynchronous motor. ATEX certified according to the zone. IP55 protection, and class F insulation. Manufactured with standard voltages: 230V 50Hz for single phase motors, 230/400V 50Hz for three phase motors up to 4kW and 400/690V 50Hz for higher powers.

- Available positions (to be indicated in case of order): LG270, LG0, LG45, LG90, LG135, LG180, LG225, LG315, RD0, RD45, RD90, RD135, RD180, RD225, RD270, RD315.
- The indicated codes correspond to the model in position LG270

APPLICATIONS

Designed for inline installation, they are suitable for:

- Ventilation in indoor environments classified as ATEX
- Working temperature: ambient from -20°C to 40°C, transported air according to the ATEX classification.
- Suitable for transporting totally clean air without dust.

UNDER REQUEST

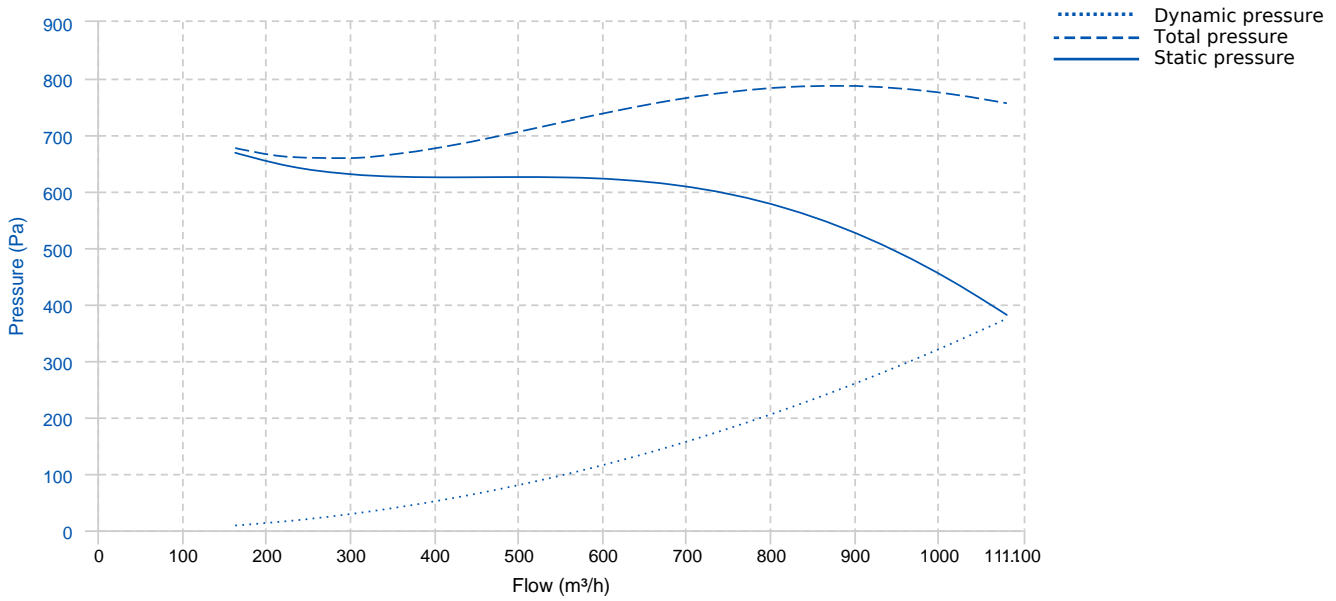
- 60Hz fans and special voltages.

ORGANISM: L.O.M.

CERTIFICAT N°: LOM 17.407N-C

In compliance with the Directive 2014/34/UE

PERFORMANCE CURVE



TECHNICAL DATA

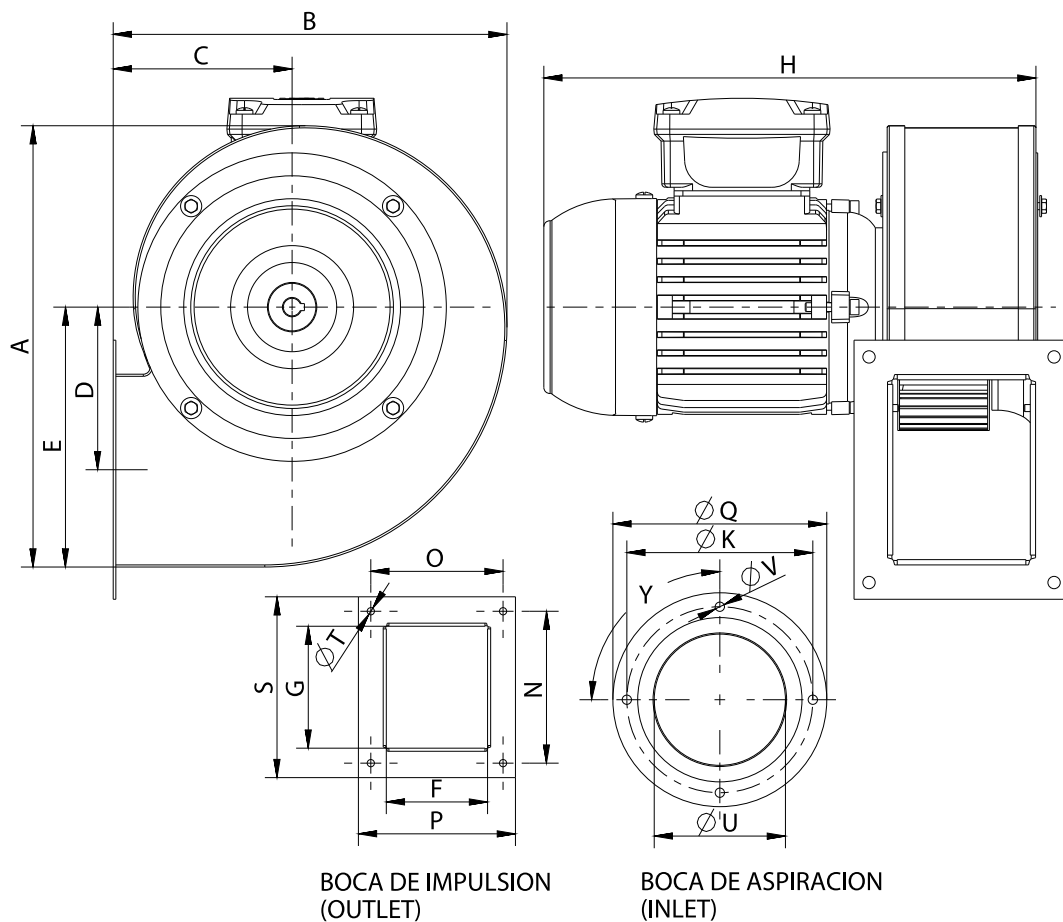
Fan

RPM	2850	Approx. weight	9.5 kg	Max. Flow	1080 m³/h
-----	------	----------------	--------	-----------	-----------

Motor

Power	0,37 kW	RPM	2850	I max. (400V)	1 A	Size	71
Approx. weight	6 kg	Efficiency (%)	71 %	FP	0.7		

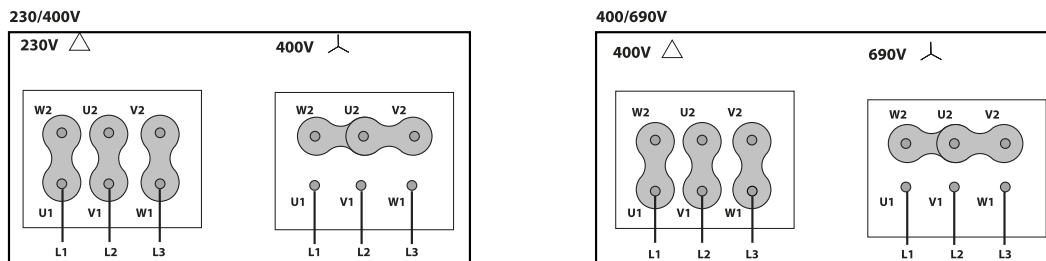
DIMENSIONS



Dimensions (mm)

A	295	B	266	C	119	D	108,5	E	171,5
F	98	G	118	H	325	K	180	N	147
O	128	P	152	Q	207	S	175	TØ	7
UØ	127	VØ	9	Y	4x90°				

WIRING DIAGRAM



ACCESSORIES



INLET PROTECTION GUARD FOR CENTRIFUGAL FANS
RA 16/6
REF: A-253111901



CIRCULAR OUTLET CONNECTION FLANGE
EI 16/6
REF: 962160111



ANTI-VIBRATING FLANGE 400^º/2H
BA-400 15/16
REF: 960002067



ANTI-VIBRATION JOINT
JE 45
REF: A-300719201



CONNECTION FLANGE
AC 150
REF: 960003204



OUTLET PROTECTION GUARD
RBS 16/6
REF: A-960000354



ATEX SWITCH
INT 16 ATEX
REF: 510200016X



FREQUENCY SPEED CONTROLLER
SFC 230 I 2,5A *
REF: SFC230I003



FREQUENCY SPEED CONTROLLER
SFC 400 III 1,2A *
REF: SFC400III1



ACOUSTIC CABINS FOR CENTRIFUGAL FANS
AB (GENERIC)