

## MBX 25/10 T2 2,2kW Zone 2: FAN (Ex h IIB T3 Gc) + MOTOR (Ex ec IIC T3 Gc) (253280106XN)

### GENERAL DATA



CENTRIFUGAL MEDIUM PRESSURE ATEX FAN

#### MANUFACTURING FEATURES

- Rolling steel sheet housing.
- Completely joined or welded housing.
- Simple inlet forward curved impeller made of aluminium sheet.
- Polyester powder finishing coat.
- Inlet sparkproof ring made of copper or aluminium.
- ATEX standard asynchronous motor. ATEX certified according to the zone. IP55 protection, and class F insulation. Manufactured with standard voltages: 230V 50Hz for single phase motors, 230/400V 50Hz for three phase motors up to 4kW and 400/690V 50Hz for higher powers.

- Available positions (to be indicated in case of order): LG270, LG0, LG45, LG90, LG135, LG180, LG225, LG315, RD0, RD45, RD90, RD135, RD180, RD225, RD270, RD315.
- The indicated codes correspond to the model in position LG270

#### APPLICATIONS

Designed for inline installation, they are suitable for:

- Ventilation in indoor environments classified as ATEX
- Working temperature: ambient from -20°C to 40°C, transported air according to the ATEX classification.
- Suitable for transporting totally clean air without dust.

#### UNDER REQUEST

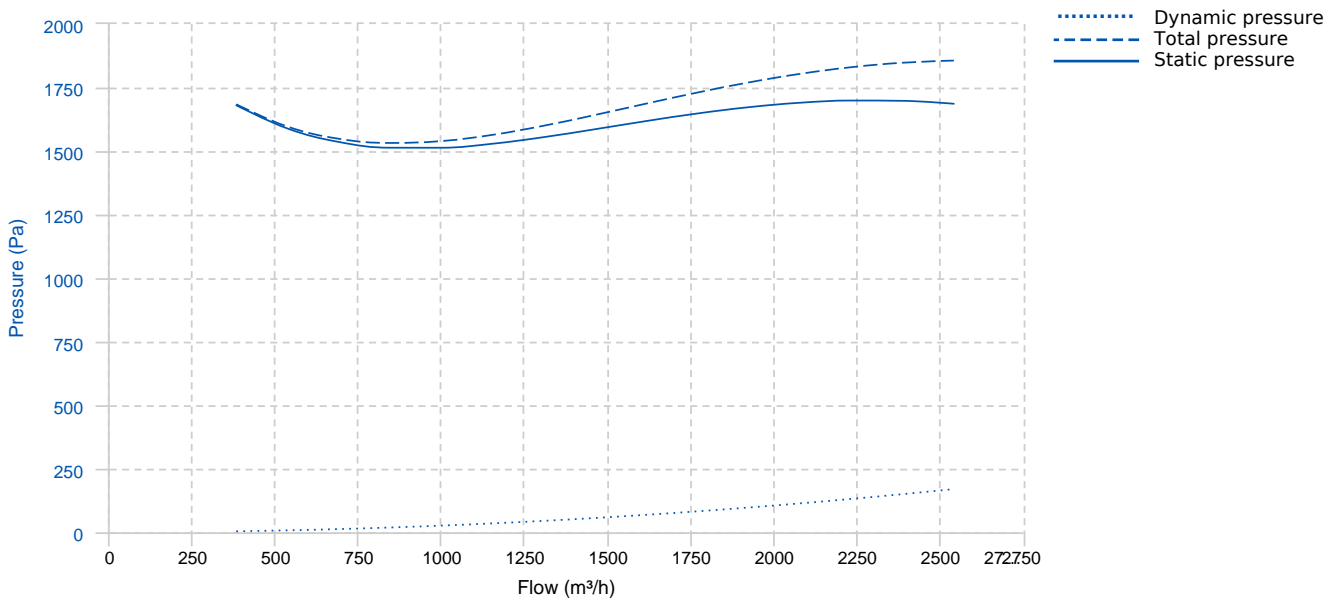
- 60Hz fans and special voltages.

ORGANISM: L.O.M.

CERTIFICAT N°: LOM 17.407N-C

In compliance with the Directive 2014/34/UE

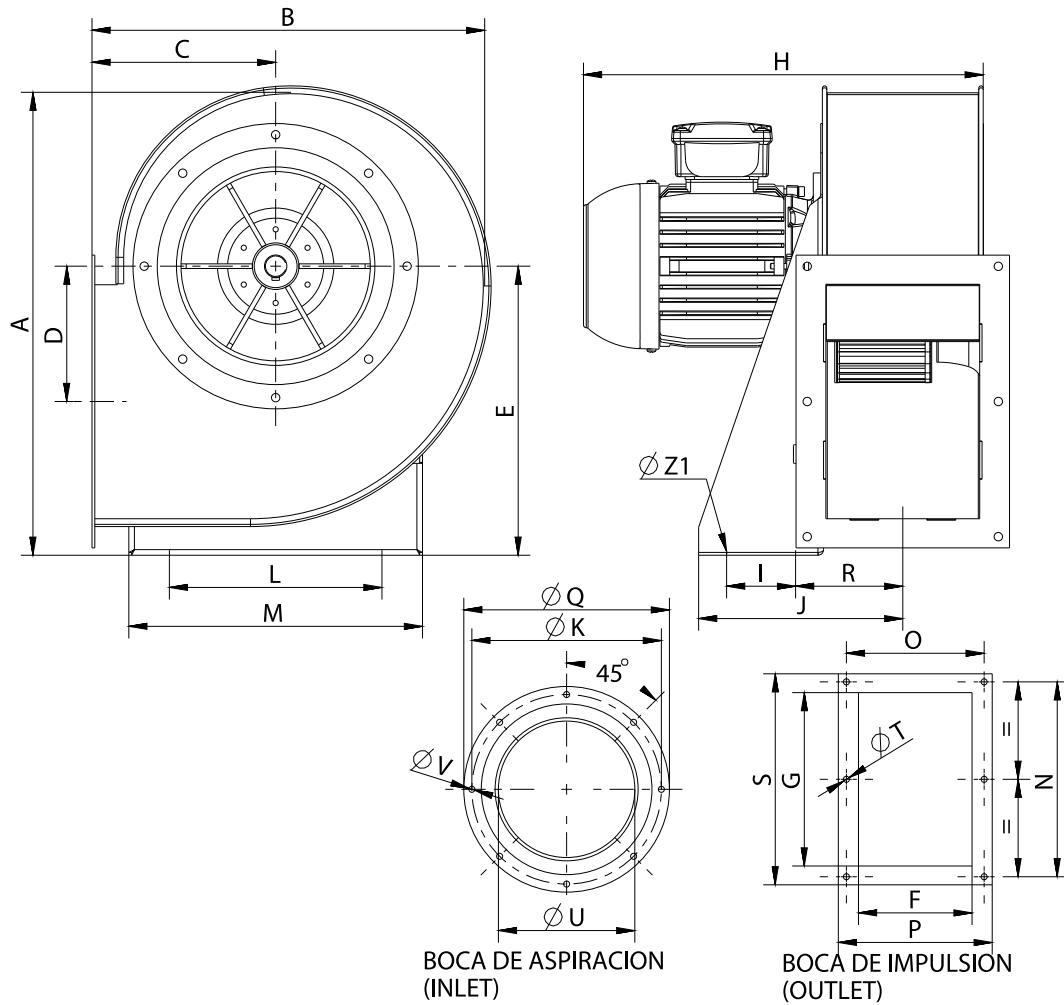
## PERFORMANCE CURVE



## TECHNICAL DATA

Fan							
RPM	2840	Approx. weight	32 kg	Max. Flow	2540 m³/h		
Motor							
Power	2,2 kW	RPM	2840	I max. (400V)	5,4 A	Size	90L
Approx. weight	15 kg	Efficiency (%)	79 %	FP	0.8		

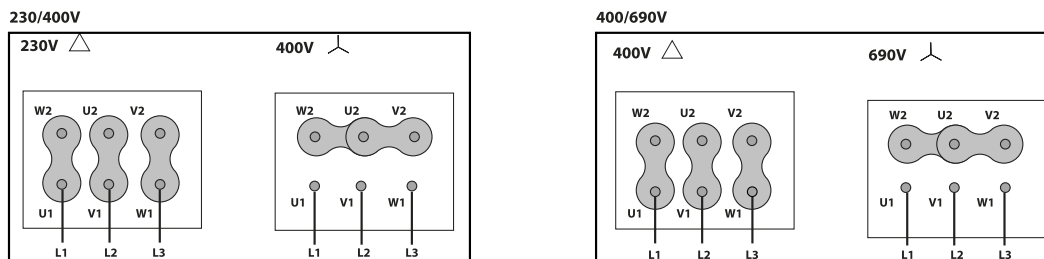
## DIMENSIONS



### Dimensions (mm)

A	502,5	B	429	C	197	D	150,5	E	310
F	165	G	254	H	463	I	74	J	219
K	282	L	228	M	315	N	290	O	205
P	229	Q	306	R	114,5	S	314	TØ	9
UØ	203	VØ	9	Z1Ø	11				

## WIRING DIAGRAM



## ACCESSORIES



**INLET PROTECTION GUARD FOR CENTRIFUGAL FANS**  
**RA 25/10**  
**REF: A-253281901**



**CIRCULAR OUTLET CONNECTION FLANGE**  
**EI 25/10**  
**REF: 962250111**



**ANTI-VIBRATING FLANGE 400<sup>o</sup>/2H**  
**BA-400 25**  
**REF: 960002051**



**ANTI-VIBRATION JOINT**  
**JE 45**  
**REF: A-300719201**



**OUTLET PROTECTION GUARD**  
**RBS 25/10**  
**REF: A-960000359**



**CONNECTION FLANGE**  
**AC 250**  
**REF: 960003208**



**ATEX SWITCH**  
**INT 16 ATEX**  
**REF: 510200016X**



**FRONTAL FEET SUPORT**  
**FS 250**  
**REF: \*GH-FS250**



**FREQUENCY SPEED CONTROLLER**  
**SFC 230 I 10A \***  
**REF: SFC230I0010**



**FREQUENCY SPEED CONTROLLER**  
**SFC 400 III 8A \***  
**REF: SFC400III8**



**ANTI-VIBRATION RUBBER BLOCK**  
**AVR (GENERIC)**



**ANTI-VIBRATION SPRING BLOCK**  
**AVS (GENERIC)**



**ACOUSTIC CABINS FOR CENTRIFUGAL FANS**  
**AB (GENERIC)**