

MBX 31/12 T4 2,2kW Zone 2: FAN (Ex h IIB T3 Gc) + MOTOR (Ex ec IIC T3 Gc) (253420106XN)

GENERAL DATA



CENTRIFUGAL MEDIUM PRESSURE ATEX FAN

MANUFACTURING FEATURES

- Rolling steel sheet housing.
- Completely joined or welded housing.
- Simple inlet forward curved impeller made of aluminium sheet.
- Polyester powder finishing coat.
- Inlet sparkproof ring made of copper or aluminium.
- ATEX standard asynchronous motor. ATEX certified according to the zone. IP55 protection, and class F insulation. Manufactured with standard voltages: 230V 50Hz for single phase motors, 230/400V 50Hz for three phase motors up to 4kW and 400/690V 50Hz for higher powers.

- Available positions (to be indicated in case of order): LG270, LG0, LG45, LG90, LG135, LG180, LG225, LG315, RD0, RD45, RD90, RD135, RD180, RD225, RD270, RD315.
- The indicated codes correspond to the model in position LG270

APPLICATIONS

Designed for inline installation, they are suitable for:

- Ventilation in indoor environments classified as ATEX
- Working temperature: ambient from -20°C to 40°C, transported air according to the ATEX classification.
- Suitable for transporting totally clean air without dust.

UNDER REQUEST

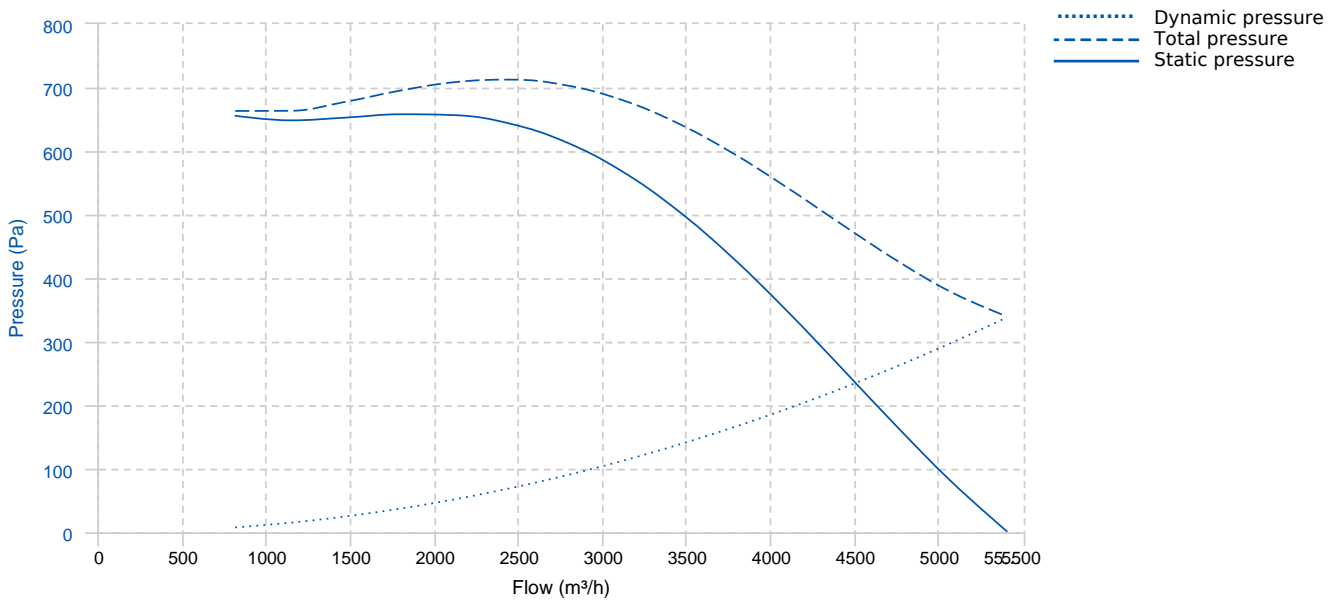
- 60Hz fans and special voltages.

ORGANISM: L.O.M.

CERTIFICAT N°: LOM 17.407N-C

In compliance with the Directive 2014/34/UE

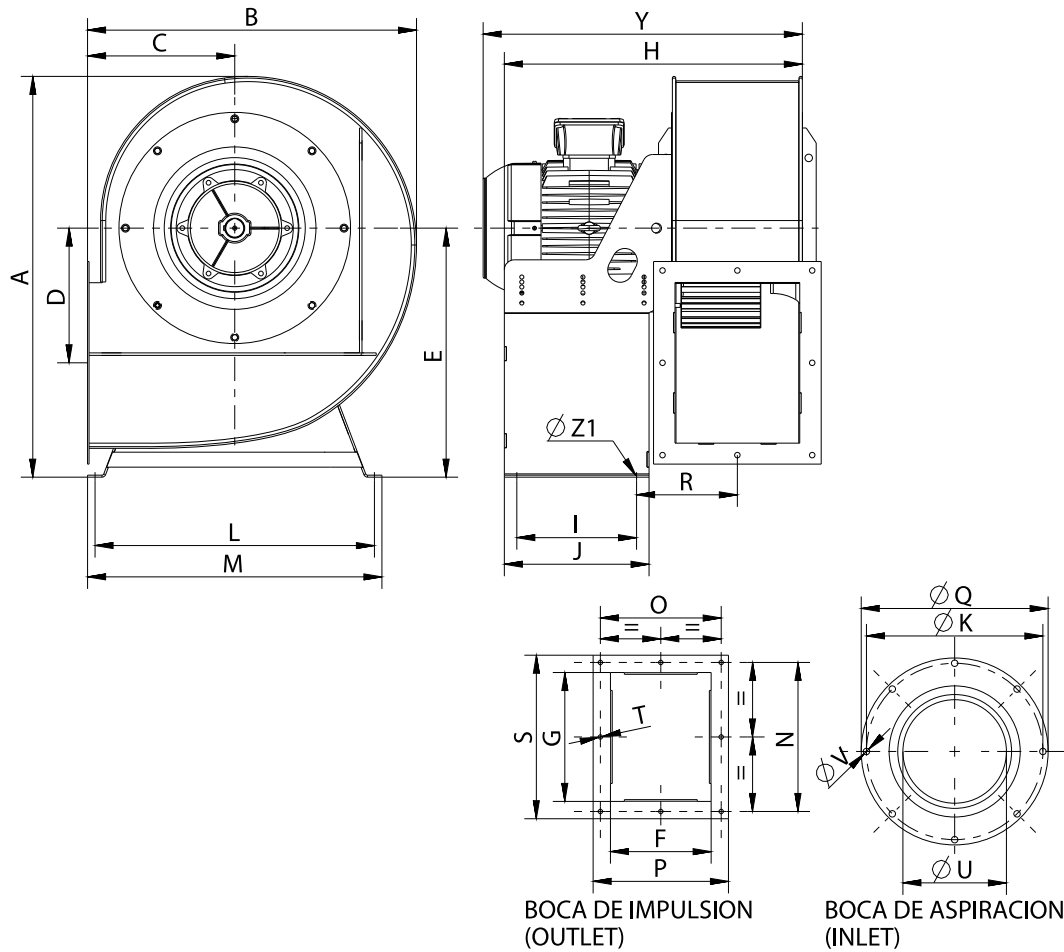
PERFORMANCE CURVE



TECHNICAL DATA

Fan							
RPM	1440	Approx. weight	54 kg	Max. Flow	5400 m³/h		
Motor							
Power	2,2 kW	RPM	1440	I max. (400V)	5,8 A	Size	100L
Approx. weight	20 kg	Efficiency (%)	80 %	FP	0.77		

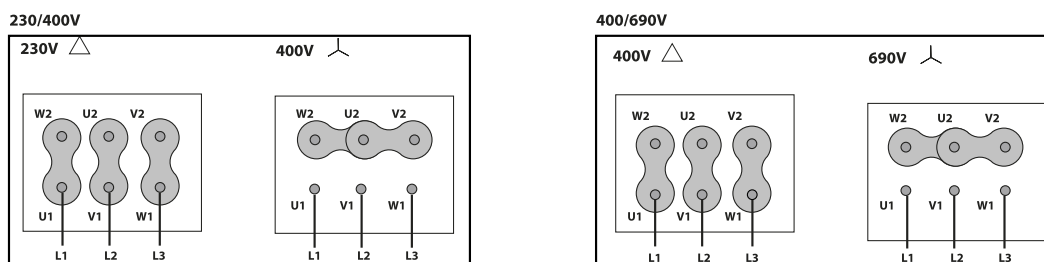
DIMENSIONS



Dimensions (mm)

A	646	B	537	C	249	D	186	E	406
F	198	G	319	H	538	I	240	J	290
K	354,5	L	457	M	482	N	360	O	240
P	274	Q	382	R	171	S	395	T \varnothing	11
U \varnothing	257	V \varnothing	11	Y	539,5	Z1	13		

WIRING DIAGRAM



ACCESSORIES



INLET PROTECTION GUARD FOR CENTRIFUGAL FANS
RA 31/12
 REF: A-253451901



CIRCULAR OUTLET CONNECTION FLANGE
EI 31/12
 REF: 962310111



ANTI-VIBRATING FLANGE 400^o/2H
BA-400 30/31
 REF: 960002052



ANTI-VIBRATION JOINT
JE 45
 REF: A-300719201



OUTLET PROTECTION GUARD
RBS 31/12
 REF: 960000362



CONNECTION FLANGE
AC 300
 REF: 960003209



ATEX SWITCH
INT 16 ATEX
 REF: 510200016X



FRONTAL FEET SUPORT
FS 310
 REF: *GH-FS310



FREQUENCY SPEED CONTROLLER
SFC 400 III 8A *
 REF: SFC400III8



ANTI-VIBRATION RUBBER BLOCK
AVR (GENERIC)



ANTI-VIBRATION SPRING BLOCK
AVS (GENERIC)



ACOUSTIC CABINS FOR CENTRIFUGAL FANS
AB (GENERIC)