

NIMUS 311 T4 0,37kW ATEX Zone 2: FAN (Ex h IIB T3 Gc) + MOTOR (Ex ec IIC T3 Gc) (NS311471XN)

GENERAL DATA



CENTRIFUGAL FAN WITH BACKWARD IMPELLER, DIRECT DRIVEN WITH FEET MOTOR (B3) ATEX.

MANUFACTURING FEATURES

- Medium pressure centrifugal fan with direct coupling.
- Reinforced housing made of carbon laminated steel, protected against corrosion by powder coating polyester resin RAL 5010. Finish C3.
- Self-cleaning turbine and reinforced impeller with high-performance backward (reaction) blades made of carbon laminated steel dynamically balanced to minimize noise and vibrations. Black painted RAL 9005
- ATEX standard asynchronous motor. ATEX certified according to the zone. Class F insulation. Manufactured with standard voltages: 230/400V 50Hz in three phase motors up to 4kW and 400/690V 50Hz for higher powers.
- Motor with feet (B3) supported on motor support foot.
- Models of size 500 and above are supplied with a front support foot, for the other models the front support foot is optional.
- Working temperature: ambient from -20°C to 40°C, transported air according to the ATEX classification.

- Available positions (to be indicated in case of order): LG270, LG0, LG45, LG90, LG135, LG180, LG225, LG315, RD0, RD45, RD90, RD135, RD180, RD225, RD270, RD315.
- The indicated codes correspond to the model in position LG270

APPLICATIONS

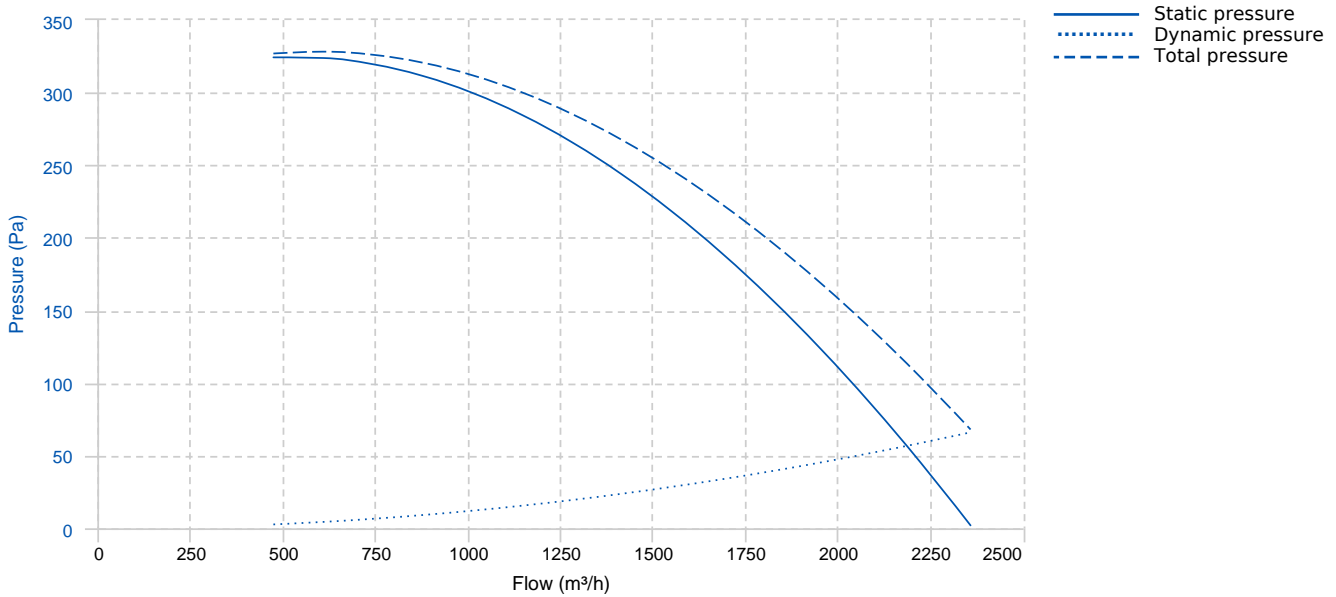
• Ventilation in indoor environments classified as ATEX. Suitable for moving clean or dusty air. Designed to be installed in conduit for suction or impulsion.

- Paint booths
- Collection of dust
- Food industry dryers
- Food processing
- Incineration
- Odor control in industry
- Indoor / outdoor pollution control
- Big buildings
- Malls
- Factories / Industrial buildings
- Warehouses
- Extraction of smoke
- Boilers and ovens
- Manufacture and treatment of chemical products.
- Tunnels, underground stations.

ON DEMAND

- Fans for 60Hz and special voltages.
- Inox 304 (normal or electropolished finish)
- Inox 316 (normal or electropolished finish)
- Inspection door to facilitate maintenance and cleaning
- Drain plug.

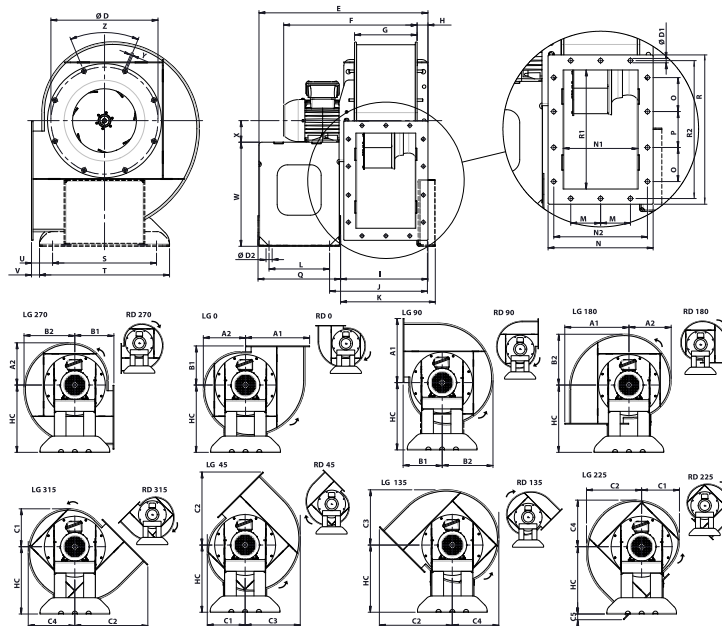
PERFORMANCE CURVE



TECHNICAL DATA

Fan							
RPM	1410	Approx. weight	41.5 kg	Max. Flow	2360 m³/h		
Motor							
Power	0,37 kW	RPM	1410	I max. (400V)	1,2 A	Size	71
Approx. weight	7 kg	Efficiency (%)	66 %	FP	0.73		

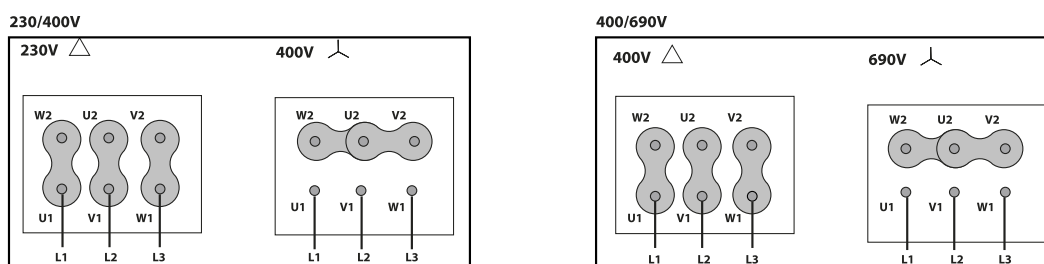
DIMENSIONS



Dimensions (mm)

A1	396	A2	260.7	B1	241.3	B2	314.1	C1	234
C2	450.6	C3	340.8	C4	287.4	C5	35	D	354.5
D1	11.5	D2	20	E	558.9	F (±)	441.5	G (±)	207
H	35.5	HC	415.6	I	289	J	324	K	313.5
L	200	M	79	N	278	N1	198	N2	248
O	90	P	95	Q	272.9	R	395	R1	315
R2	365	S	344	T	430	U	69.3	V	26.3
W	344.6	X	71	Y	M8	Z	8holes x45°		

WIRING DIAGRAM



ACCESSORIES



INLET PROTECTION GUARD FOR CENTRIFUGAL FANS
RA 31/12
REF: 253451901



ANTI-VIBRATING FLANGE 400²/2H
BA-400 30/31
REF: 960002052



ANTI-VIBRATION JOINT
JE 45
REF: 300719201



CONNECTION FLANGE
AC 300
REF: 960003209



OUTLET FLANGE FOR STORM MODELS
EIS 315x198-315
REF: EIS-3119831



OUTLET PROTECTION GUARD FOR STORM FANS
RIS 315x198
REF: RIS-31198E2



CIRCULAR-CIRCULAR COUPLING FLANGE ATEX FOR STORM
BADS ATEX 315
REF: BADS-3131X0



RECTANGULAR-RECTANGULAR COUPLING FLANGE ATEX FOR STORM
BIDS ATEX 198x315-200
REF: BIDS-31198X0

COUPLING



**ATEX SWITCH
INT 16 ATEX**
REF: 510200016X



**FREQUENCY SPEED CONTROLLER
SFC 230 I 2,5A ***
REF: SFC230I003



**FREQUENCY SPEED CONTROLLER
SFC 400 III 1,2A ***
REF: SFC400III1



**ANTI-VIBRATION RUBBER BLOCK
AVR (GENERIC)**



**ANTI-VIBRATION SPRING BLOCK
AVS (GENERIC)**



**ACOUSTIC CABINS FOR CENTRIFUGAL FANS
AB (GENERIC)**



**FRONTAL FEET SUPORT
CPD-N31**
REF: CPD-N31



**MULTIPOSITION FRONTAL FEET SUPPORT
CPDMP-N31**
REF: CPDMP-N31