

NIMUS 351 T2 2,2kW ATEX Zone 2: FAN (Ex h IIB T3 Gc) + MOTOR (Ex ec IIC T3 Gc) (NS351290XN)

GENERAL DATA



CENTRIFUGAL FAN WITH BACKWARD IMPELLER, DIRECT DRIVEN WITH FEET MOTOR (B3) ATEX.

MANUFACTURING FEATURES

- Medium pressure centrifugal fan with direct coupling.
- Reinforced housing made of carbon laminated steel, protected against corrosion by powder coating polyester resin RAL 5010. Finish C3.
- Self-cleaning turbine and reinforced impeller with high-performance backward (reaction) blades made of carbon laminated steel dynamically balanced to minimize noise and vibrations. Black painted RAL 9005
- ATEX standard asynchronous motor. ATEX certified according to the zone. Class F insulation. Manufactured with standard voltages: 230/400V 50Hz in three phase motors up to 4kW and 400/690V 50Hz for higher powers.
- Motor with feet (B3) supported on motor support foot.
- Models of size 500 and above are supplied with a front support foot, for the other models the front support foot is optional.
- Working temperature: ambient from -20°C to 40°C, transported air according to the ATEX classification.
- Available positions (to be indicated in case of order): LG270, LG0, LG45, LG90, LG135, LG180, LG225, LG315, RD0, RD45, RD90, RD135, RD180, RD225, RD270, RD315.
- The indicated codes correspond to the model in position LG270

APPLICATIONS

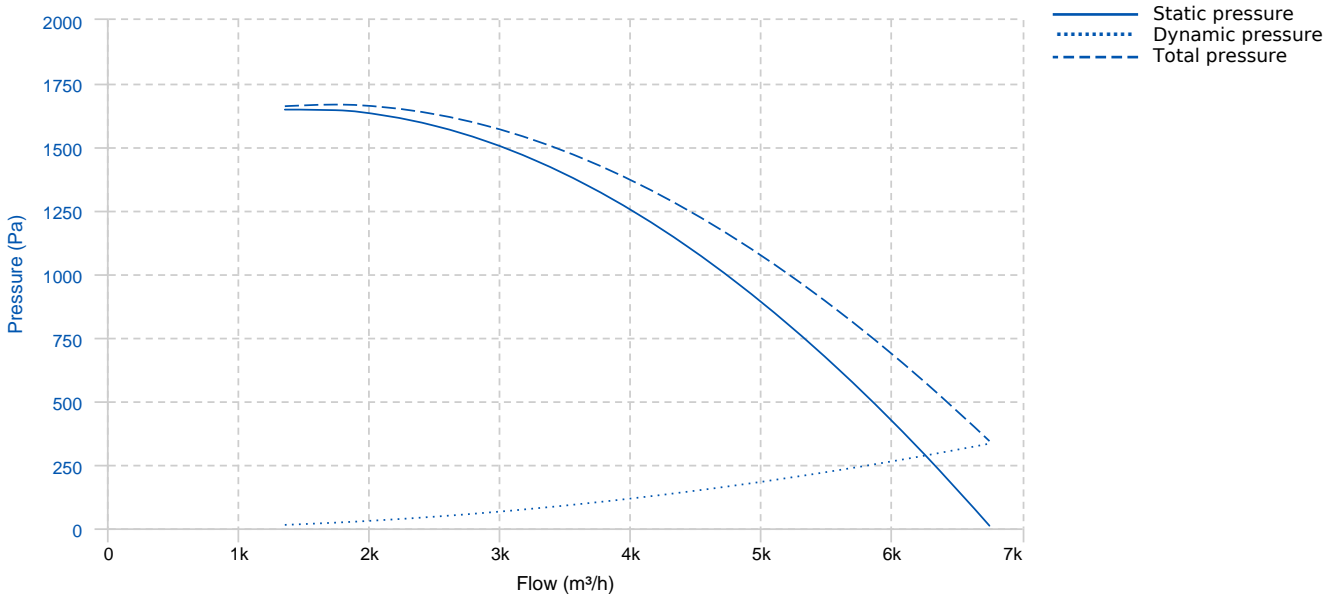
• Ventilation in indoor environments classified as ATEX. Suitable for moving clean or dusty air. Designed to be installed in conduit for suction or impulsion.

- Paint booths
- Collection of dust
- Food industry dryers
- Food processing
- Incineration
- Odor control in industry
- Indoor / outdoor pollution control
- Big buildings
- Malls
- Factories / Industrial buildings
- Warehouses
- Extraction of smoke
- Boilers and ovens
- Manufacture and treatment of chemical products.
- Tunnels, underground stations.

ON DEMAND

- Fans for 60Hz and special voltages.
- Inox 304 (normal or electropolished finish)
- Inox 316 (normal or electropolished finish)
- Inspection door to facilitate maintenance and cleaning
- Drain plug.

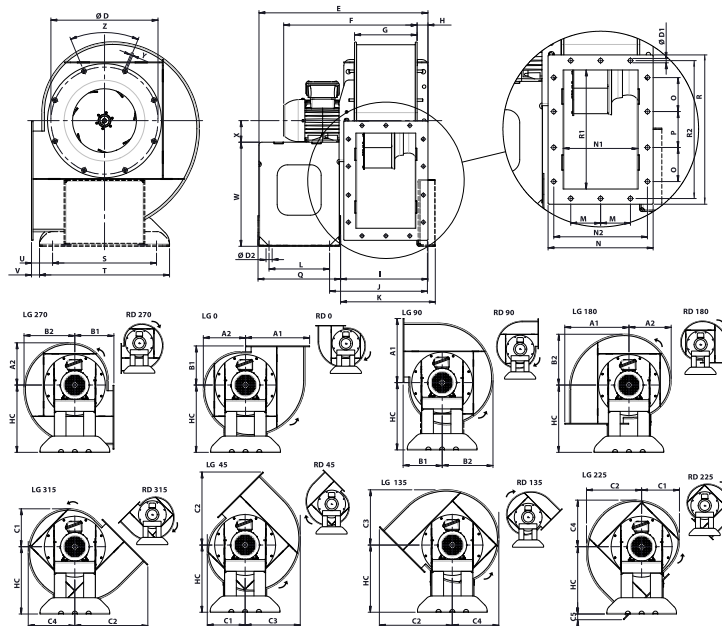
PERFORMANCE CURVE



TECHNICAL DATA

Fan							
RPM	2840	Approx. weight	59.12 kg	Max. Flow	6750 m³/h		
Motor							
Power	2,2 kW	RPM	2840	I max. (400V)	5,4 A	Size	90L
Approx. weight	15 kg	Efficiency (%)	79 %	FP	0.8		

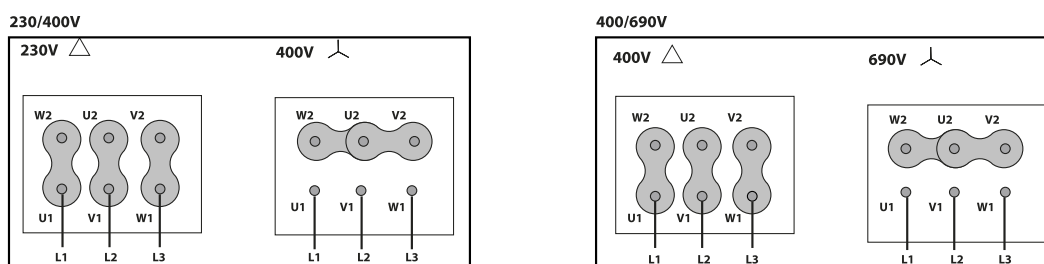
DIMENSIONS



Dimensions (mm)

A1	441.8	A2	292.4	B1	266.2	B2	352.6	C1	262.3
C2	500.6	C3	382.7	C4	322.5	C5	40	D	394.5
D1	11.5	D2	20	E	594.8	F (±)	534	G (±)	233
H	35.5	HC	460.6	I	352.4	J	314.9	K	339.4
L	205	M	92	N	304	N1	224	N2	274
O	105	P	105	Q	282.9	R	435	R1	355
R2	405	S	397	T	473	U	67.7	V	29.7
W	370.6	X	90	Y	M8	Z	8holes x45°		

WIRING DIAGRAM



ACCESSORIES



INLET PROTECTION GUARD FOR CENTRIFUGAL FANS
RA 35/14
REF: 253481901



CONNECTION FLANGE
AC 350
REF: 960003211



ANTI-VIBRATING FLANGE 400°/2H
BA-400 35
REF: 960002053



ANTI-VIBRATION JOINT
JE 45
REF: 300719201



OUTLET FLANGE FOR STORM MODELS
EIS 355x224-350
REF: EIS-3522435



OUTLET PROTECTION GUARD FOR STORM FANS
RIS 355x224
REF: RIS-35224E2



CIRCULAR-CIRCULAR COUPLING FLANGE ATEX FOR STORM
BADS ATEX 350
REF: BADS-3535X0



RECTANGULAR-RECTANGULAR COUPLING FLANGE ATEX FOR STORM
BIDS ATEX 224x355-200
REF: BIDS-35224X0

COUPLING



**ATEX SWITCH
INT 16 ATEX**
REF: 510200016X



**FREQUENCY SPEED CONTROLLER
SFC 230 I 10A ***
REF: SFC230I0010



**FREQUENCY SPEED CONTROLLER
SFC 400 III 8A ***
REF: SFC400III8



**ANTI-VIBRATION RUBBER BLOCK
AVR (GENERIC)**



**ANTI-VIBRATION SPRING BLOCK
AVS (GENERIC)**



**ACOUSTIC CABINS FOR CENTRIFUGAL FANS
AB (GENERIC)**



**FRONTAL FEET SUPORT
CPD-N35**
REF: CPD-N35



**MULTIPOSITION FRONTAL FEET SUPPORT
CPDMP-N35**
REF: CPDMP-N35