

NIMUS 401 T2 4kW ATEX Zone 2: FAN (Ex h IIB T3 Gc) + MOTOR (Ex ec IIC T3 Gc) (NS4012100XN)

GENERAL DATA



CENTRIFUGAL FAN WITH BACKWARD IMPELLER, DIRECT DRIVEN WITH FEET MOTOR (B3) ATEX.

MANUFACTURING FEATURES

- Medium pressure centrifugal fan with direct coupling.
- Reinforced housing made of carbon laminated steel, protected against corrosion by powder coating polyester resin RAL 5010. Finish C3.
- Self-cleaning turbine and reinforced impeller with high-performance backward (reaction) blades made of carbon laminated steel dynamically balanced to minimize noise and vibrations. Black painted RAL 9005
- ATEX standard asynchronous motor. ATEX certified according to the zone. Class F insulation. Manufactured with standard voltages: 230/400V 50Hz for three phase motors up to 4kW and 400/690V 50Hz for higher powers.
- Motor with feet (B3) supported on motor support foot.
- Models of size 500 and above are supplied with a front support foot, for the other models the front support foot is optional.
- Working temperature: ambient from -20°C to 40°C, transported air according to the ATEX classification.

- Available positions (to be indicated in case of order): LG270, LG0, LG45, LG90, LG135, LG180, LG225, LG315, RD0, RD45, RD90, RD135, RD180, RD225, RD270, RD315.
- The indicated codes correspond to the model in position LG270

APPLICATIONS

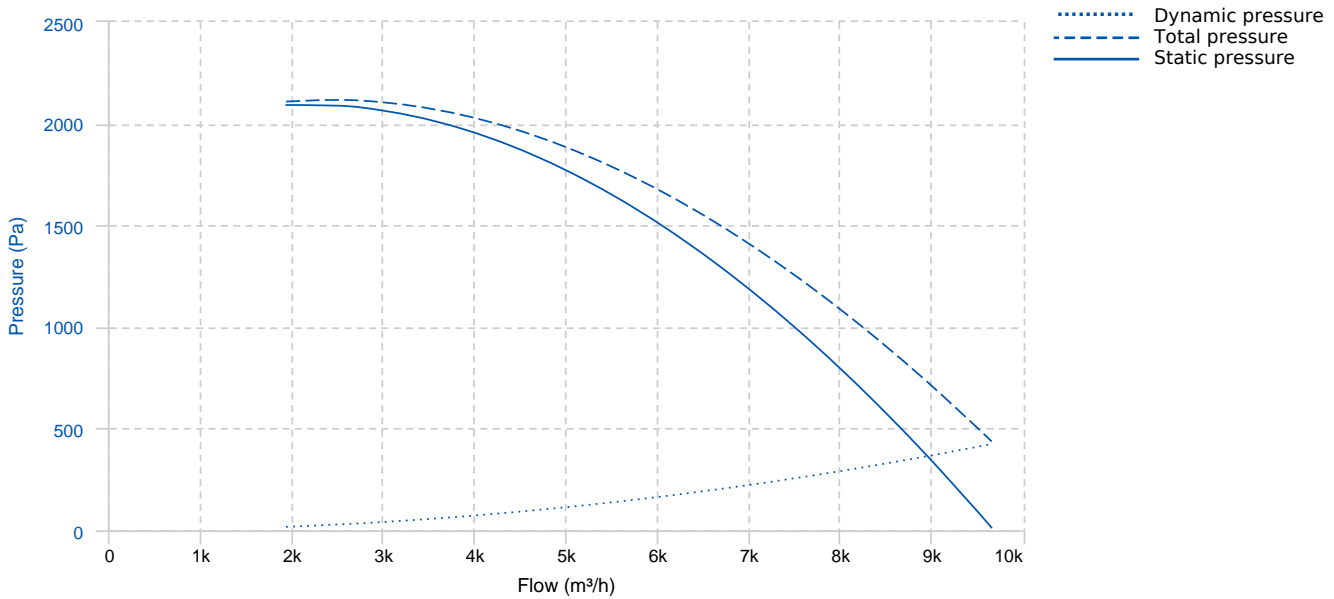
• Ventilation in indoor environments classified as ATEX. Suitable for moving clean or dusty air. Designed to be installed in conduit for suction or impulsion.

- Paint booths
- Collection of dust
- Food industry dryers
- Food processing
- Incineration
- Odor control in industry
- Indoor / outdoor pollution control
- Big buildings
- Malls
- Factories / Industrial buildings
- Warehouses
- Extraction of smoke
- Boilers and ovens
- Manufacture and treatment of chemical products.
- Tunnels, underground stations.

ON DEMAND

- Fans for 60Hz and special voltages.
- Inox 304 (normal or electropolished finish)
- Inox 316 (normal or electropolished finish)
- Inspection door to facilitate maintenance and cleaning
- Drain plug.

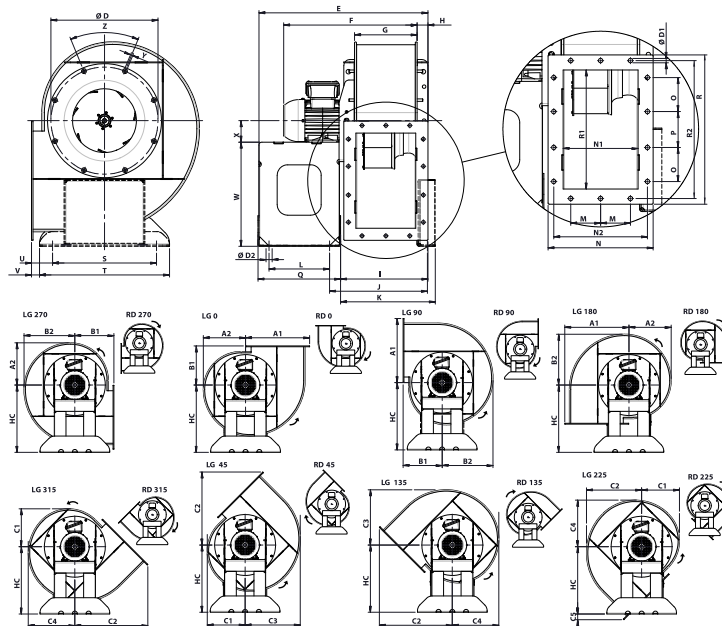
PERFORMANCE CURVE



TECHNICAL DATA

Fan							
RPM	2910	Approx. weight	89.47 kg	Max. Flow	9660 m³/h		
Motor							
Power	4 kW	RPM	2910	I max. (400V)	9,2 A	Size	112M
Approx. weight	28 kg	Efficiency (%)	76 %	FP	0.84		

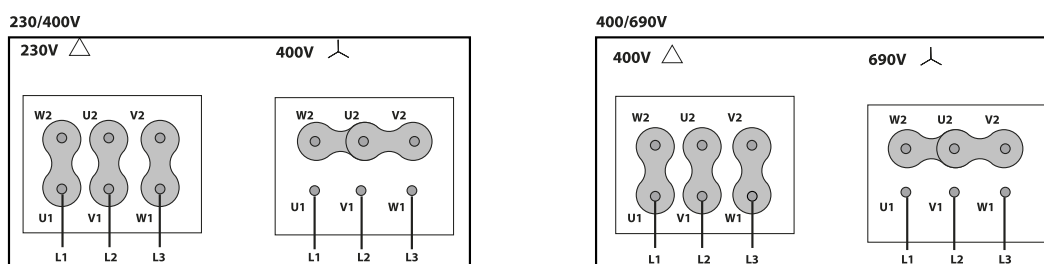
DIMENSIONS



Dimensions (mm)

A1	493	A2	328.2	B1	294.3	B2	396.1	C1	294.3
C2	556.7	C3	430.1	C4	362.2	C5	46.1	D	438
D1	11.5	D2	20	E	622.8	F (±)	615	G (±)	261
H	35.5	HC	510.6	I	380.4	J	342.9	K	367.4
L	205	M	106	N	332	N1	252	N2	302
O	120	P	120	Q	282.9	R	480	R1	400
R2	450	S	397	T	473	U	95.8	V	57.8
W	398.6	X	112	Y	M8	Z	8holes x45°		

WIRING DIAGRAM



ACCESSORIES



INLET PROTECTION GUARD FOR CENTRIFUGAL FANS
RA 40/16
REF: A-253511901



CONNECTION FLANGE
AC 400
REF: 960003212



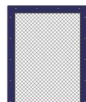
ANTI-VIBRATING FLANGE 400°/2H
BA-400 40
REF: 960002054



ANTI-VIBRATION JOINT
JE 45
REF: A-300719201



OUTLET FLANGE FOR STORM MODELS
EIS 400x252-400
REF: EIS-4025240



OUTLET PROTECTION GUARD FOR STORM FANS
RIS 400x252
REF: RIS-40252E2



CIRCULAR-CIRCULAR COUPLING FLANGE ATEX FOR STORM
BADS ATEX 400
REF: BADS-4040X0



RECTANGULAR-RECTANGULAR FLANGE ATEX FOR STORM
BIDS ATEX 252x400-200
REF: BIDS-40252X0

COUPLING



**ATEX SWITCH
INT 16 ATEX
REF: 510200016X**



**FREQUENCY SPEED CONTROLLER
SFC 400 III 8A *
REF: SFC400III8**



**ANTI-VIBRATION RUBBER BLOCK
AVR (GENERIC)**



**ANTI-VIBRATION SPRING BLOCK
AVS (GENERIC)**



**ACOUSTIC CABINS FOR CENTRIFUGAL FANS
AB (GENERIC)**



**FRONTAL FEET SUPPORT
CPD-N40
REF: A-CPD-N40**



**MULTIPOSITION FRONTAL FEET SUPPORT
CPDMP-N40
REF: A-CPDMP-N40**