

NIMUS 451 T4 0,75kW ATEX Zone 2: FAN (Ex h IIB T3 Gc) + MOTOR (Ex ec IIC T3 Gc) (NS451480XN)

GENERAL DATA



CENTRIFUGAL FAN WITH BACKWARD IMPELLER, DIRECT DRIVEN WITH FEET MOTOR (B3) ATEX.

MANUFACTURING FEATURES

- Medium pressure centrifugal fan with direct coupling.
- Reinforced housing made of carbon laminated steel, protected against corrosion by powder coating polyester resin RAL 5010. Finish C3.
- Self-cleaning turbine and reinforced impeller with high-performance backward (reaction) blades made of carbon laminated steel dynamically balanced to minimize noise and vibrations. Black painted RAL 9005
- ATEX standard asynchronous motor. ATEX certified according to the zone. Class F insulation. Manufactured with standard voltages: 230/400V 50Hz in three phase motors up to 4kW and 400/690V 50Hz for higher powers.
- Motor with feet (B3) supported on motor support foot.
- Models of size 500 and above are supplied with a front support foot, for the other models the front support foot is optional.
- Working temperature: ambient from -20°C to 40°C, transported air according to the ATEX classification.

- Available positions (to be indicated in case of order): LG270, LG0, LG45, LG90, LG135, LG180, LG225, LG315, RD0, RD45, RD90, RD135, RD180, RD225, RD270, RD315.
- The indicated codes correspond to the model in position LG270

APPLICATIONS

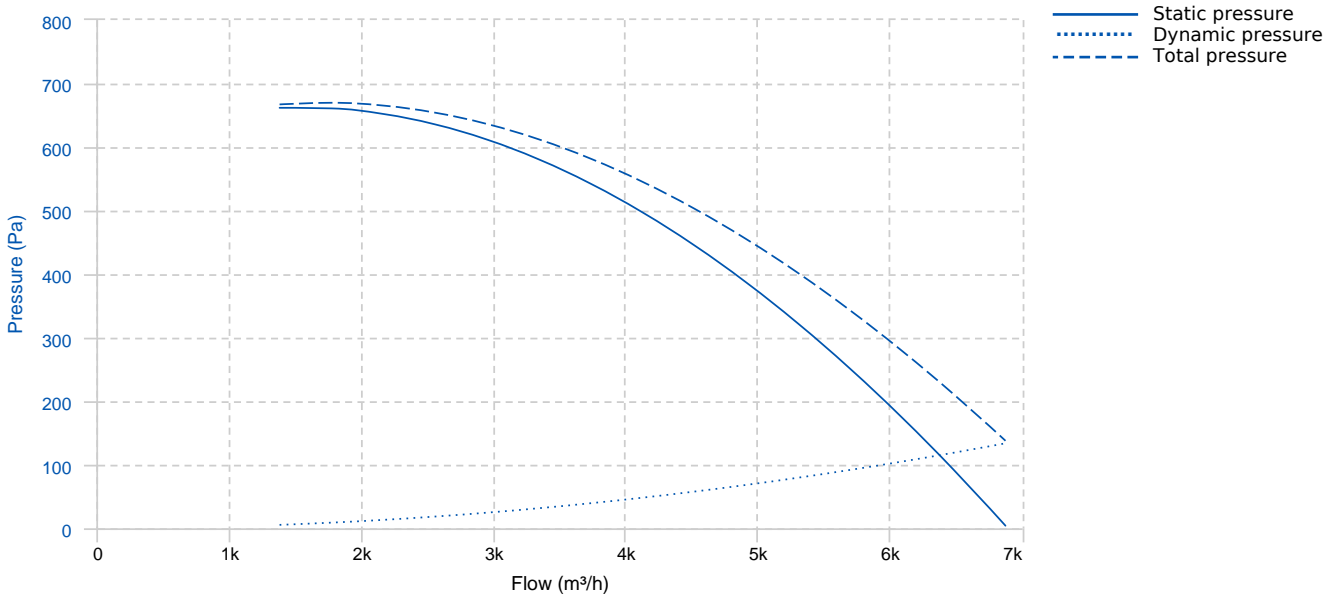
- Ventilation in indoor environments classified as ATEX. Suitable for moving clean or dusty air. Designed to be installed in conduit for suction or impulsion.

- Paint booths
- Collection of dust
- Food industry dryers
- Food processing
- Incineration
- Odor control in industry
- Indoor / outdoor pollution control
- Big buildings
- Malls
- Factories / Industrial buildings
- Warehouses
- Extraction of smoke
- Boilers and ovens
- Manufacture and treatment of chemical products.
- Tunnels, underground stations.

ON DEMAND

- Fans for 60Hz and special voltages.
- Inox 304 (normal or electropolished finish)
- Inox 316 (normal or electropolished finish)
- Inspection door to facilitate maintenance and cleaning
- Drain plug.

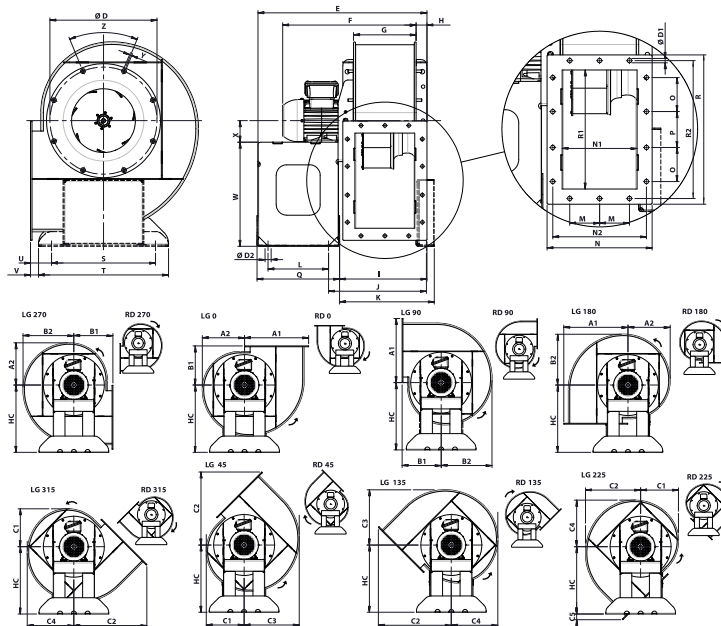
PERFORMANCE CURVE



TECHNICAL DATA

Fan							
RPM	1410	Approx. weight	80.17 kg	Max. Flow	6880 m³/h		
Motor							
Power	0,75 kW	RPM	1410	I max. (400V)	2,1 A	Size	80
Approx. weight	11 kg	Efficiency (%)	68 %	FP	0.75		

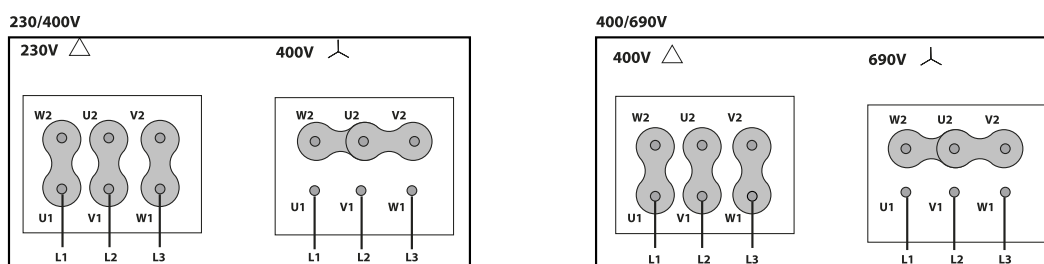
DIMENSIONS



Dimensions (mm)

A1	549.3	A2	367.7	B1	325.4	B2	444	C1	329.6
C2	618.5	C3	482.2	C4	405.9	C5	47.9	D	485
D1	11.5	D2	20	E	667.8	F (±)	554.5	G (±)	293
H	48.5	HC	570.6	I	437.6	J	394.4	K	428.9
L	185	M	112	N	364	N1	284	N2	334
O	130	P	130	Q	264.6	R	530	R1	450
R2	500	S	487	T	563	U	126.9	V	43.9
W	490.6	X	80	Y	M8	Z	8holes x45°		

WIRING DIAGRAM



ACCESSORIES



INLET PROTECTION GUARD FOR CENTRIFUGAL FANS
RA 45/18
REF: 253531901



CONNECTION FLANGE
AC 450
REF: 960003213



ANTI-VIBRATING FLANGE 400°/2H
BA-400 45
REF: 960002055



ANTI-VIBRATION JOINT
JE 45
REF: 300719201



OUTLET FLANGE FOR STORM MODELS
EIS 450x284-450
REF: EIS-4528445



OUTLET PROTECTION GUARD FOR STORM FANS
RIS 450x284
REF: RIS-45284E2



CIRCULAR-CIRCULAR COUPLING FLANGE ATEX FOR STORM
BADS ATEX 450
REF: BADS-4545X0



RECTANGULAR-RECTANGULAR FLANGE ATEX FOR STORM
BIDS ATEX 284x450-200
REF: BIDS-45284X0

COUPLING



**ATEX SWITCH
INT 16 ATEX**
REF: 510200016X



**FREQUENCY SPEED CONTROLLER
SFC 230 I 4,2A ***
REF: SFC230I004



**FREQUENCY SPEED CONTROLLER
SFC 400 III 2,2A ***
REF: SFC400III2



**ANTI-VIBRATION RUBBER BLOCK
AVR (GENERIC)**



**ANTI-VIBRATION SPRING BLOCK
AVS (GENERIC)**



**ACOUSTIC CABINS FOR CENTRIFUGAL FANS
AB (GENERIC)**



**FRONTAL FEET SUPORT
CPD-N45**
REF: CPD-N45



**MULTIPOSITION FRONTAL FEET SUPPORT
CPDMP-N45**
REF: CPDMP-N45