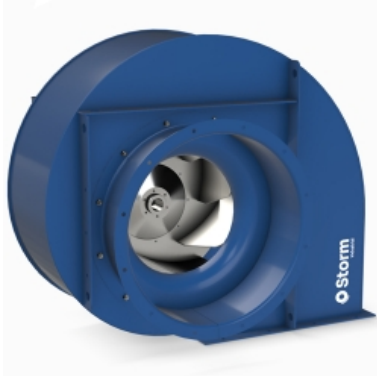


## PREXTUR 354 T4 0,37kW (std) (PX354471)

### GENERAL DATA



#### CENTRIFUGAL MEDIUM PRESSURE FAN FOR PAINT BOOTHS

##### MANUFACTURING FEATURES:

- Medium pressure centrifugal fan with direct coupling.
  - Reinforced housing made of carbon laminated steel, protected against corrosion by powder coating polyester resin RAL 5010. Finish C3.
  - Casing fully latched and adjustable.
  - Self-cleaning turbine and reinforced impeller with high-performance backward (reaction) blades made of carbon laminated steel dynamically balanced to minimize noise and vibrations. Black painted, RAL 9005
  - Squirrel cage standardized asynchronous IEC motor with IP-55 protection and class F electrical insulation. Standard voltages 230/400V 50Hz for three-phase motors up to 4kW and 400/690V 50Hz for higher powers.
  - Motor with flange (B5), airtight axle
  - Double suction flange
  - Maximum working temperature in continuous: transported air: 130°C, ambient: 60°C.
- Available positions (to be indicated in case of order): LG and RD  
• The indicated codes correspond to the model in position LG

##### APPLICATIONS

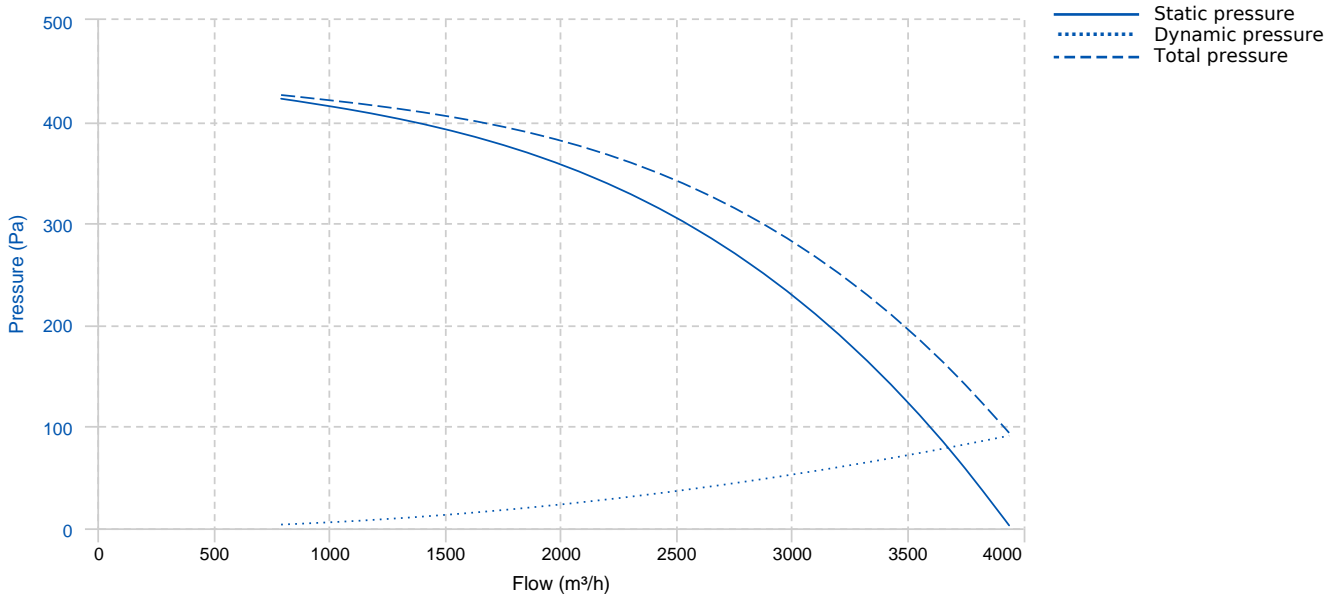
Suitable for moving clean or dusty air. Designed to be fixed in the double suction flange, with the motor in vertical position.

- Paint booths
- Collection of dust
- Food industry dryers
- Food processing
- Incineration
- Odor control in industry
- Indoor / outdoor pollution control
- Big buildings
- Malls
- Factories / Industrial buildings
- Warehouses
- Extraction of smoke
- Boilers and ovens
- Manufacture and treatment of chemical products.
- Tunnels, underground stations.

##### ON DEMAND

- Fans for special voltages.
- 2 speed motor.
- C4 or C5 coating painting
- Hot dip galvanized
- Inox 304 (normal or electropolished finish)
- Inox 316 (normal or electropolished finish)
- Cooling wheel
- Anticaloric paint
- Fully welded housing (waterproof)
- Inspection door to facilitate maintenance and cleaning
- Drain plug.
- Non-sparking air passage and standard motor
- Other brands of motors.

## PERFORMANCE CURVE

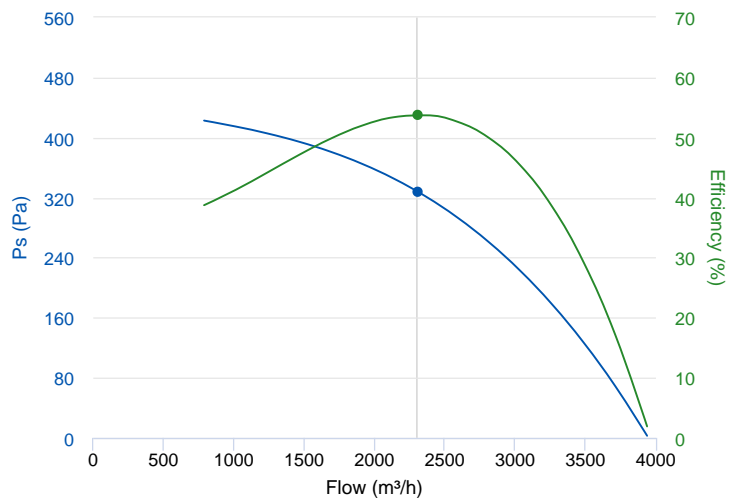


## TECHNICAL DATA

Fan							
RPM	1370	Approx. weight	75.2 kg	Max. Flow	3940 m³/h		
Motor							
Power	0,37 kW	RPM	1370	I max. (230V)	1,86 A	I max. (400V)	1,07 A
Size	71	Approx. weight	6.2 kg	Efficiency (%)	69.5 %		

## ERP DATA

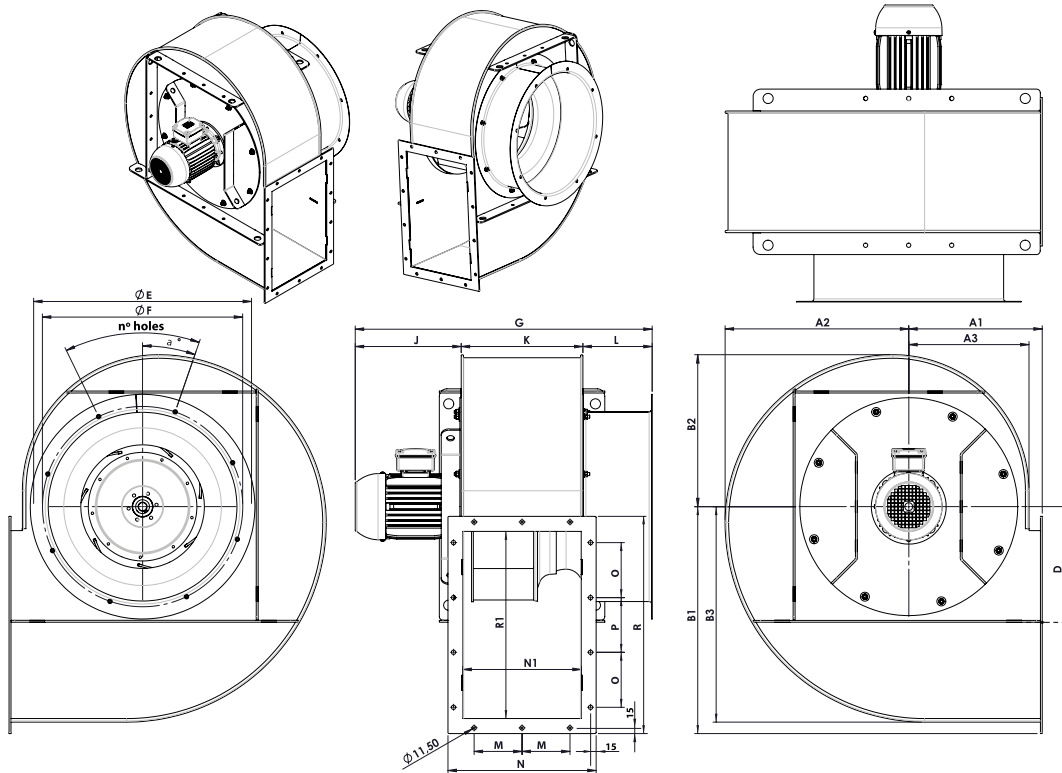
Fan data sheet		
Fan type	Centrifugal fan backward blades with casing	
Installation category	A: Outlet and Inlet free discharge	
Efficiency category	Static	
The fan has to be installed with VF	No	
Motor power (kW)	0.37	
	Fan values	ERP Requirements 2015
Max. efficiency (%)	53.74	46.31
Efficiency grade (N)	68.43	61
Pabs (kW)	0.399	
Flow (m³/h)	2307.44	
Static pressure (Pa)	327.92	
Speed (m/s)	1370	



	Fan values	ERP Requirements 2015
--	------------	-----------------------

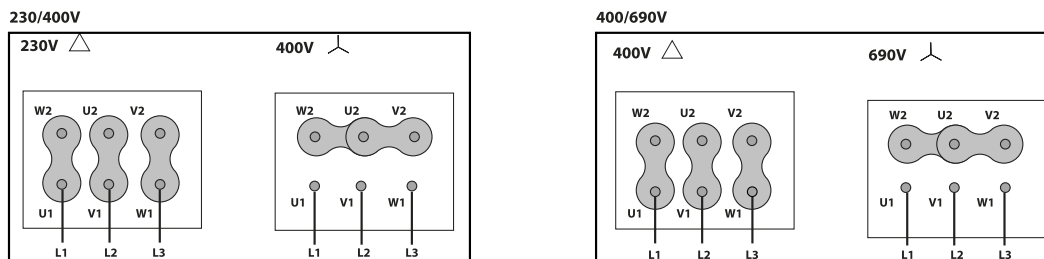
Specific ratio	1.00	
----------------	------	--

## DIMENSIONS



Dimensions (mm)									
A1	266.2	A2	351.1	A3	230.7	B1	441.8	B2	290.9
B3	411.3	D	224.3	E	418	F	395	G	662.5
J	218.5	K	259	L	185	M	105	N	330
N1	250	O	105	P	105	R	435	R1	355
a°	22,5°	n°holes	8x45°						

## WIRING DIAGRAM



## ACCESSORIES



**SAFETY SWITCH**  
INT 25 3P A  
REF: INT253PA



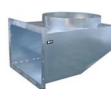
**CONNECTION FLANGE**  
AC 350  
REF: 960003211



**ANTI-VIBRATION JOINT**  
JE 45  
REF: 300719201



**CIRCULAR-CIRCULAR ANTI-VIBRATION FLANGE FOR STORM**  
BADS 350  
REF: BADS-3535



**OUTLET BEND FOR STORM FANS**  
CPS 355x250-350  
REF: CPS-3525035



**FREQUENCY SPEED CONTROLLER**  
SFC 230 I 2,5A \*  
REF: SFC230I003



**ANTI-VIBRATION RUBBER BLOCK**  
AVR (GENERIC)



**INLET PROTECTION GUARD FOR CENTRIFUGAL FANS**  
RA 35/14  
REF: 253481901



**ANTI-VIBRATING FLANGE 400<sup>ø</sup>/2H**  
BA-400 35  
REF: 960002053



**OUTLET FLANGE FOR STORM MODELS**  
EIS 355x250-350  
REF: EIS-3525035



**OUTLET PROTECTION GUARD FOR STORM FANS**  
RIS 355x250  
REF: RIS-35250E2



**RECTANGULAR-RECTANGULAR ANTI-VIBRATION FLANGE FOR STORM**  
BIDS 250x355-200  
REF: BIDS-35250



**FREQUENCY SPEED CONTROLLER**  
SFC 400 III 1,2A \*  
REF: SFC400III1



**ANTI-VIBRATION SPRING BLOCK**  
AVS (GENERIC)



**ACOUSTIC CABINS FOR CENTRIFUGAL FANS  
AB (GENERIC)**

**SPARE PARTS**

	Code	Model	Qty
1	R-BAD-N35	INLET CONE 355	x1
2	721001139	MOTOR 0,55kW T4 B5 230/400V	x1
3	721001134	MOTOR 0,37kW T4 B5 230/400V	x1