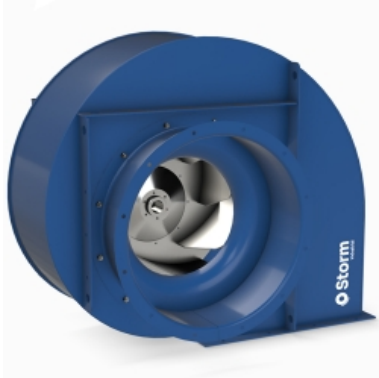


PREXTUR 454 T4 1,1kW (std) (PX454490)

GENERAL DATA



CENTRIFUGAL MEDIUM PRESSURE FAN FOR PAINT BOOTHS

MANUFACTURING FEATURES:

- Medium pressure centrifugal fan with direct coupling.
 - Reinforced housing made of carbon laminated steel, protected against corrosion by powder coating polyester resin RAL 5010. Finish C3.
 - Casing fully latched and adjustable.
 - Self-cleaning turbine and reinforced impeller with high-performance backward (reaction) blades made of carbon laminated steel dynamically balanced to minimize noise and vibrations. Black painted, RAL 9005
 - Squirrel cage standardized asynchronous IEC motor with IP-55 protection and class F electrical insulation. Standard voltages 230/400V 50Hz for three-phase motors up to 4kW and 400/690V 50Hz for higher powers.
 - Motor with flange (B5), airtight axle
 - Double suction flange
 - Maximum working temperature in continuous: transported air: 130°C, ambient: 60°C.
- Available positions (to be indicated in case of order): LG and RD
 - The indicated codes correspond to the model in position LG

APPLICATIONS

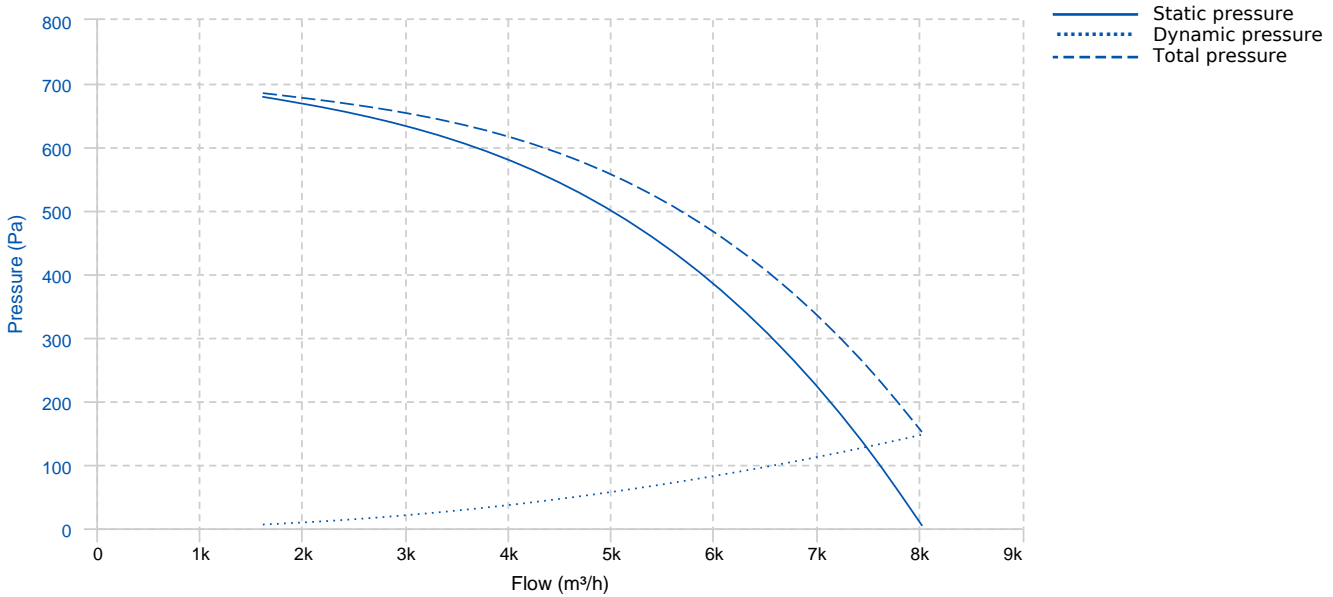
Suitable for moving clean or dusty air. Designed to be fixed in the double suction flange, with the motor in vertical position.

- Paint booths
- Collection of dust
- Food industry dryers
- Food processing
- Incineration
- Odor control in industry
- Indoor / outdoor pollution control
- Big buildings
- Malls
- Factories / Industrial buildings
- Warehouses
- Extraction of smoke
- Boilers and ovens
- Manufacture and treatment of chemical products.
- Tunnels, underground stations.

ON DEMAND

- Fans for special voltages.
- 2 speed motor.
- C4 or C5 coating painting
- Hot dip galvanized
- Inox 304 (normal or electropolished finish)
- Inox 316 (normal or electropolished finish)
- Cooling wheel
- Anticaloric paint
- Fully welded housing (waterproof)
- Inspection door to facilitate maintenance and cleaning
- Drain plug.
- Non-sparking air passage and standard motor
- Other brands of motors.

PERFORMANCE CURVE

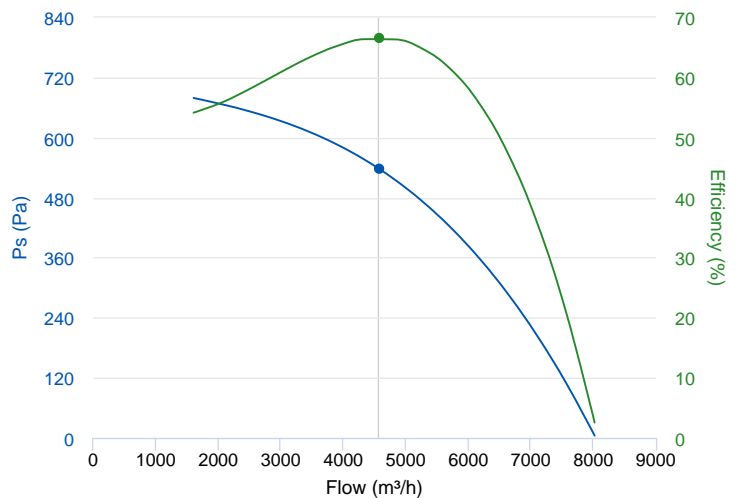


TECHNICAL DATA

Fan							
RPM	1450	Approx. weight	112 kg	Max. Flow	8020 m³/h		
Motor							
Power	1,1 kW	RPM	1450	I max. (230V)	4,33 A	I max. (400V)	2,49 A
Size	90L	Approx. weight	23 kg	Efficiency (%)	84.1 %	FP	0.78

ERP DATA

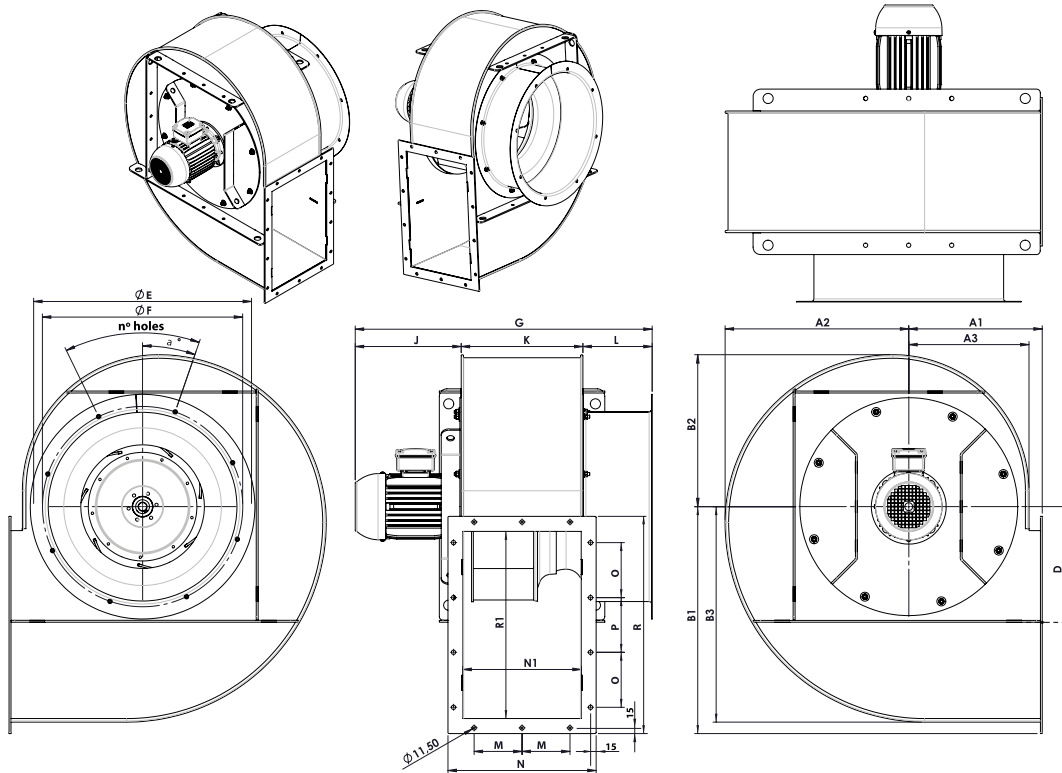
Fan data sheet		
Fan type	Centrifugal fan backward blades with casing	
Installation category	A: Outlet and Inlet free discharge	
Efficiency category	Static	
The fan has to be installed with VF	No	
Motor power (kW)	1.1	
	Fan values	ERP Requirements 2015
Max. efficiency (%)	66.54	50.71
Efficiency grade (N)	76.83	61
Pabs (kW)	1.046	
Flow (m³/h)	4575.48	
Static pressure (Pa)	537.4	
Speed (m/s)	1450	



	Fan values	ERP Requirements 2015
--	-------------------	------------------------------

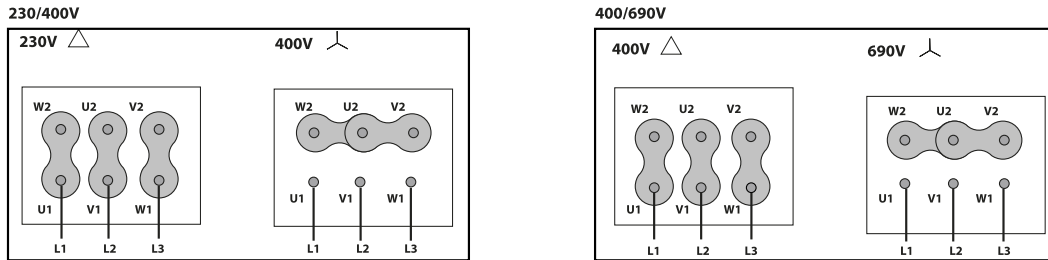
Specific ratio	1.01	
----------------	------	--

DIMENSIONS



Dimensions (mm)									
A1	325.4	A2	442.5	A3	289.9	B1	549.3	B2	366.2
B3	518.8	D	284.3	E	523	F	485	G	788
J	278	K	325	L	185	M	128	N	396
N1	316	O	130	P	130	R	530	R1	450
a°	22,5°	n°holes	8x45°						

WIRING DIAGRAM



ACCESSORIES



SAFETY SWITCH
INT 25 3P A
 REF: INT253PA



INLET PROTECTION GUARD FOR CENTRIFUGAL FANS
RA 45/18
 REF: 253531901



CONNECTION FLANGE
AC 450
 REF: 960003213



ANTI-VIBRATING FLANGE 400^ø/2H
BA-400 45
 REF: 960002055



ANTI-VIBRATION JOINT
JE 45
 REF: 300719201



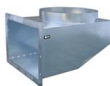
OUTLET FLANGE FOR STORM MODELS
EIS 450x316-450
 REF: EIS-4531645



OUTLET PROTECTION GUARD FOR STORM FANS
RIS 450x316
 REF: RIS-45316E2



CIRCULAR-CIRCULAR ANTI-VIBRATION FLANGE FOR STORM
BADS 450
 REF: BADS-4545



OUTLET BEND FOR STORM FANS
CPS 450x316-450
 REF: CPS-4531645



RECTANGULAR-RECTANGULAR ANTI-VIBRATION FLANGE FOR STORM
BIDS 316x450-200
 REF: BIDS-45316



FREQUENCY SPEED CONTROLLER
SFC 230 I 7A *
 REF: SFC230I007



FREQUENCY SPEED CONTROLLER
SFC 400 III 3,6A *
 REF: SFC400III4



ANTI-VIBRATION RUBBER BLOCK
AVR (GENERIC)



ANTI-VIBRATION SPRING BLOCK
AVS (GENERIC)



**ACOUSTIC CABINS FOR CENTRIFUGAL FANS
AB (GENERIC)**

SPARE PARTS

	Code	Model	Qty
1	R-BAD-N45	INLET CONE 450	x1
2	721001160	MOTOR 2,2kW T4 B5 230/400V	x1
3	721001152	MOTOR 1,1kW T4 B5 230/400V	x1