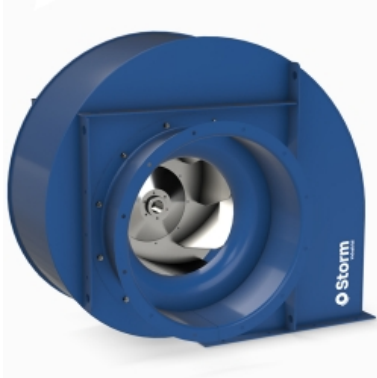


PREXTUR 504 T4 2,2kW (std) (PX5044100)

GENERAL DATA



CENTRIFUGAL MEDIUM PRESSURE FAN FOR PAINT BOOTHS

MANUFACTURING FEATURES:

- Medium pressure centrifugal fan with direct coupling.
 - Reinforced housing made of carbon laminated steel, protected against corrosion by powder coating polyester resin RAL 5010. Finish C3.
 - Casing fully latched and adjustable.
 - Self-cleaning turbine and reinforced impeller with high-performance backward (reaction) blades made of carbon laminated steel dynamically balanced to minimize noise and vibrations. Black painted, RAL 9005
 - Squirrel cage standardized asynchronous IEC motor with IP-55 protection and class F electrical insulation. Standard voltages 230/400V 50Hz for three-phase motors up to 4kW and 400/690V 50Hz for higher powers.
 - Motor with flange (B5), airtight axle
 - Double suction flange
 - Maximum working temperature in continuous: transported air: 130°C, ambient: 60°C.
- Available positions (to be indicated in case of order): LG and RD
• The indicated codes correspond to the model in position LG

APPLICATIONS

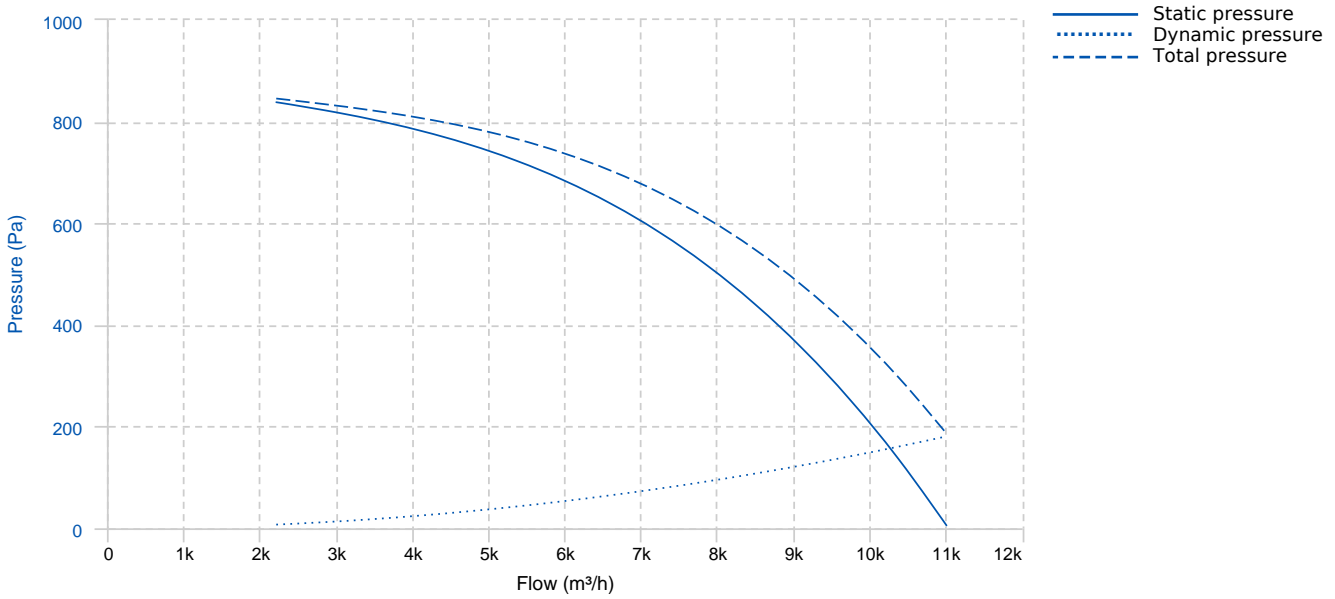
Suitable for moving clean or dusty air. Designed to be fixed in the double suction flange, with the motor in vertical position.

- Paint booths
- Collection of dust
- Food industry dryers
- Food processing
- Incineration
- Odor control in industry
- Indoor / outdoor pollution control
- Big buildings
- Malls
- Factories / Industrial buildings
- Warehouses
- Extraction of smoke
- Boilers and ovens
- Manufacture and treatment of chemical products.
- Tunnels, underground stations.

ON DEMAND

- Fans for special voltages.
- 2 speed motor.
- C4 or C5 coating painting
- Hot dip galvanized
- Inox 304 (normal or electropolished finish)
- Inox 316 (normal or electropolished finish)
- Cooling wheel
- Anticaloric paint
- Fully welded housing (waterproof)
- Inspection door to facilitate maintenance and cleaning
- Drain plug.
- Non-sparking air passage and standard motor
- Other brands of motors.

PERFORMANCE CURVE

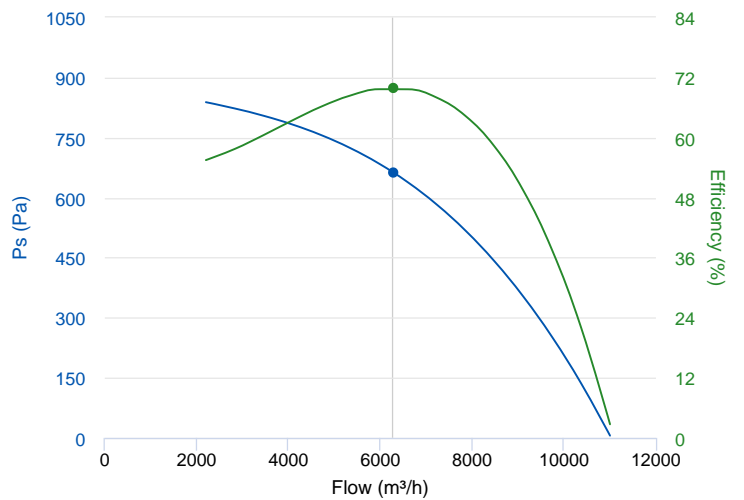


TECHNICAL DATA

Fan							
RPM	1435	Approx. weight	146 kg	Max. Flow	11010 m³/h		
Motor							
Power	2,2 kW	RPM	1435	I max. (230V)	8,07 A	I max. (400V)	4,64 A
Size	100L	Approx. weight	34 kg	Efficiency (%)	86.7 %	FP	0.81

ERP DATA

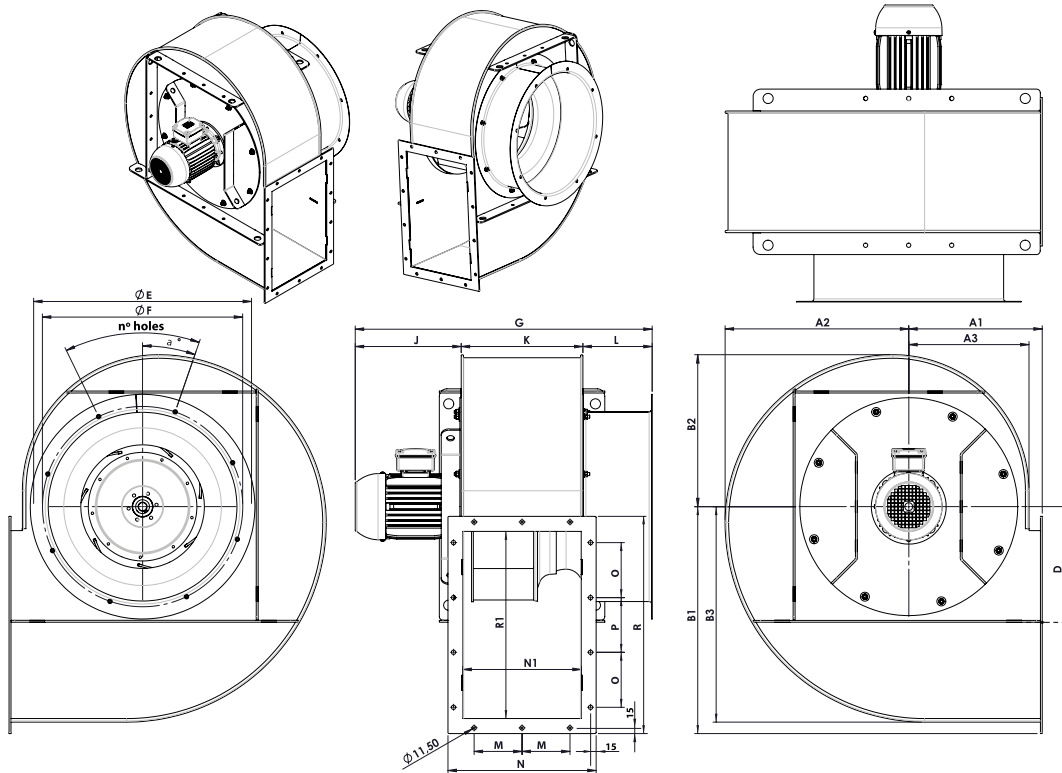
Fan data sheet		
Fan type	Centrifugal fan backward blades with casing	
Installation category	A: Outlet and Inlet free discharge	
Efficiency category	Static	
The fan has to be installed with VF	No	
Motor power (kW)	2.2	
	Fan values	ERP Requirements 2015
Max. efficiency (%)	69.84	52.89
Efficiency grade (N)	77.95	61
Pabs (kW)	1.689	
Flow (m³/h)	6285.91	
Static pressure (Pa)	662.75	
Speed (m/s)	1435	



	Fan values	ERP Requirements 2015
--	------------	-----------------------

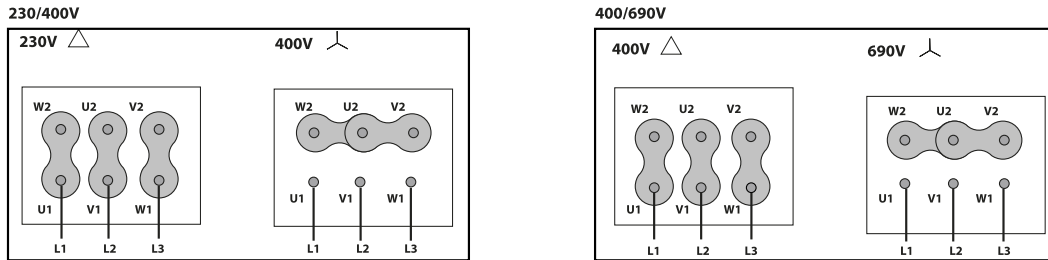
Specific ratio	1.01	
----------------	------	--

DIMENSIONS



Dimensions (mm)									
A1	356.6	A2	490.7	A3	321.1	B1	606	B2	405.9
B3	575.5	D	316	E	582	F	535	G	860.6
J	314.6	K	361	L	185	M	146	N	432
N1	352	O	147	P	146	R	580	R1	500
a°	19°	n°holes	8x45°						

WIRING DIAGRAM



ACCESSORIES



SAFETY SWITCH
INT 25 3P A
 REF: INT253PA



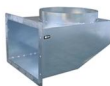
CONNECTION FLANGE
AC 500
 REF: 960003214



ANTI-VIBRATION JOINT
JE 45
 REF: 300719201



CIRCULAR-CIRCULAR ANTI-VIBRATION FLANGE FOR STORM
BADS 500
 REF: BADS-5050



OUTLET BEND FOR STORM FANS
CPS 500x352-500
 REF: CPS-5035250



FREQUENCY SPEED CONTROLLER
SFC 230 I 10A *
 REF: SFC230I0010



ANTI-VIBRATION RUBBER BLOCK
AVR (GENERIC)



INLET PROTECTION GUARD FOR CENTRIFUGAL FANS
RA 50/16
 REF: 243501901



ANTI-VIBRATING FLANGE 400^ø/2H
BA-400 50
 REF: 960002064



OUTLET FLANGE FOR STORM MODELS
EIS 500x352-500
 REF: EIS-5035250



OUTLET PROTECTION GUARD FOR STORM FANS
RIS 500x352
 REF: RIS-50352E2



RECTANGULAR-RECTANGULAR ANTI-VIBRATION FLANGE FOR STORM
BIDS 352x500-200
 REF: BIDS-50352



FREQUENCY SPEED CONTROLLER
SFC 400 III 5A *
 REF: SFC400III5



ANTI-VIBRATION SPRING BLOCK
AVS (GENERIC)



**ACOUSTIC CABINS FOR CENTRIFUGAL FANS
AB (GENERIC)**

SPARE PARTS

	Code	Model	Qty
1	R-BAD-N50	INLET CONE 500	x1
2	721001170	MOTOR 3KW T4 B5 230/400V	x1
3	721001160	MOTOR 2,2kW T4 B5 230/400V	x1