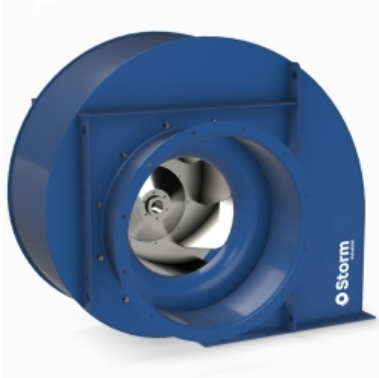


## PREXTUR 634 T4 5,5kW (std) (PX6344132)

### GENERAL DATA



#### CENTRIFUGAL MEDIUM PRESSURE FAN FOR PAINT BOOTHS

##### MANUFACTURING FEATURES:

- Medium pressure centrifugal fan with direct coupling.
  - Reinforced housing made of carbon laminated steel, protected against corrosion by powder coating polyester resin RAL 5010. Finish C3.
  - Casing fully latched and adjustable.
  - Self-cleaning turbine and reinforced impeller with high-performance backward (reaction) blades made of carbon laminated steel dynamically balanced to minimize noise and vibrations. Black painted, RAL 9005
  - Squirrel cage standardized asynchronous IEC motor with IP-55 protection and class F electrical insulation. Standard voltages 230/400V 50Hz for three-phase motors up to 4kW and 400/690V 50Hz for higher powers.
  - Motor with flange (B5), airtight axle
  - Double suction flange
  - Maximum working temperature in continuous: transported air: 130°C, ambient: 60°C.
- Available positions (to be indicated in case of order): LG and RD  
• The indicated codes correspond to the model in position LG

##### APPLICATIONS

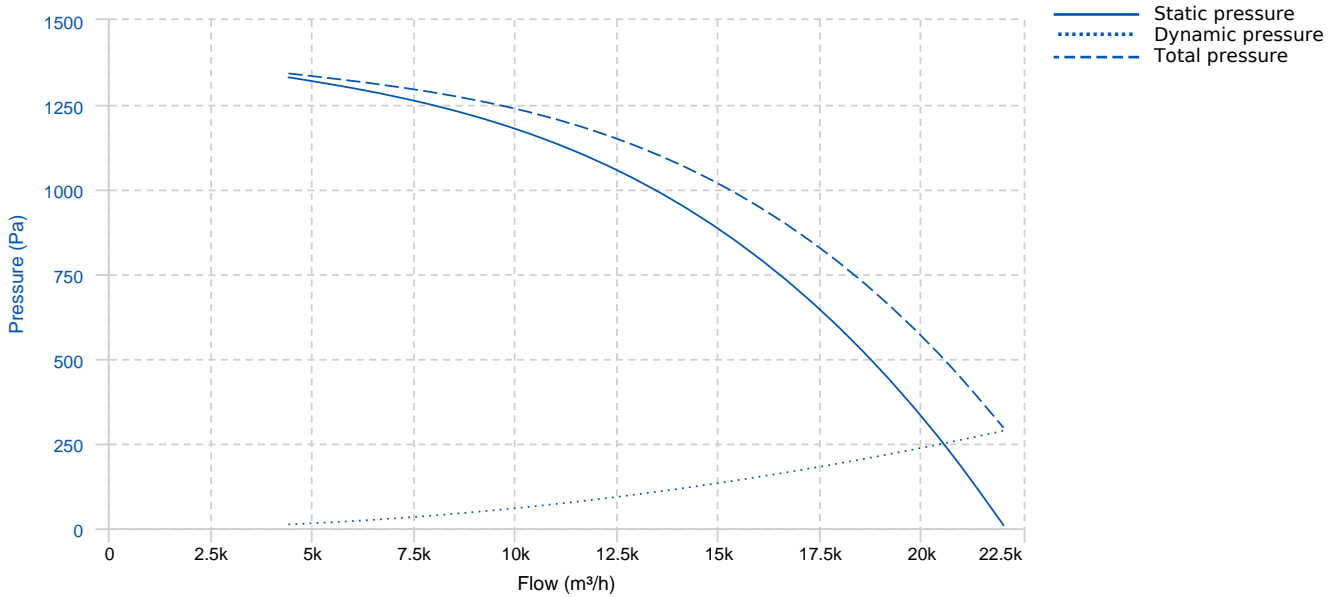
Suitable for moving clean or dusty air. Designed to be fixed in the double suction flange, with the motor in vertical position.

- Paint booths
- Collection of dust
- Food industry dryers
- Food processing
- Incineration
- Odor control in industry
- Indoor / outdoor pollution control
- Big buildings
- Malls
- Factories / Industrial buildings
- Warehouses
- Extraction of smoke
- Boilers and ovens
- Manufacture and treatment of chemical products.
- Tunnels, underground stations.

##### ON DEMAND

- Fans for special voltages.
- 2 speed motor.
- C4 or C5 coating painting
- Hot dip galvanized
- Inox 304 (normal or electropolished finish)
- Inox 316 (normal or electropolished finish)
- Cooling wheel
- Anticaloric paint
- Fully welded housing (waterproof)
- Inspection door to facilitate maintenance and cleaning
- Drain plug.
- Non-sparking air passage and standard motor
- Other brands of motors.

## PERFORMANCE CURVE

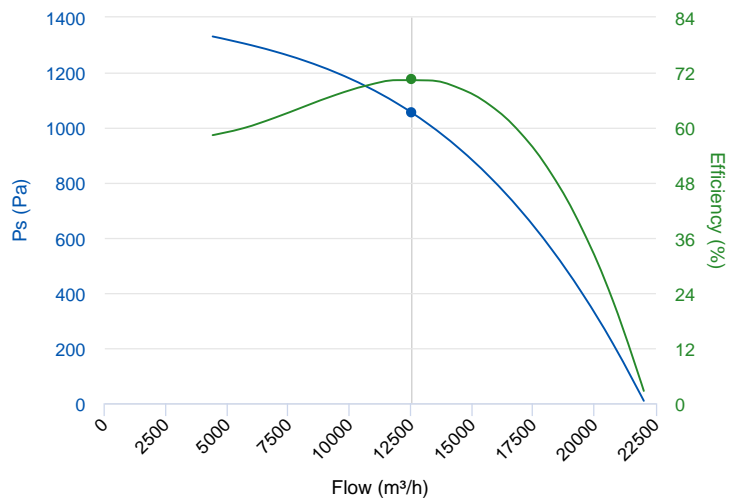


## TECHNICAL DATA

Fan							
RPM	1460	Approx. weight	247 kg	Max. Flow	22010 m³/h		
Motor							
Power	5,5 kW	RPM	1460	I max. (400V)	10,5 A	I max. (690V)	6,09 A
Size	132S	Approx. weight	67 kg	Efficiency (%)	89.6 %	FP	0.86

## ERP DATA

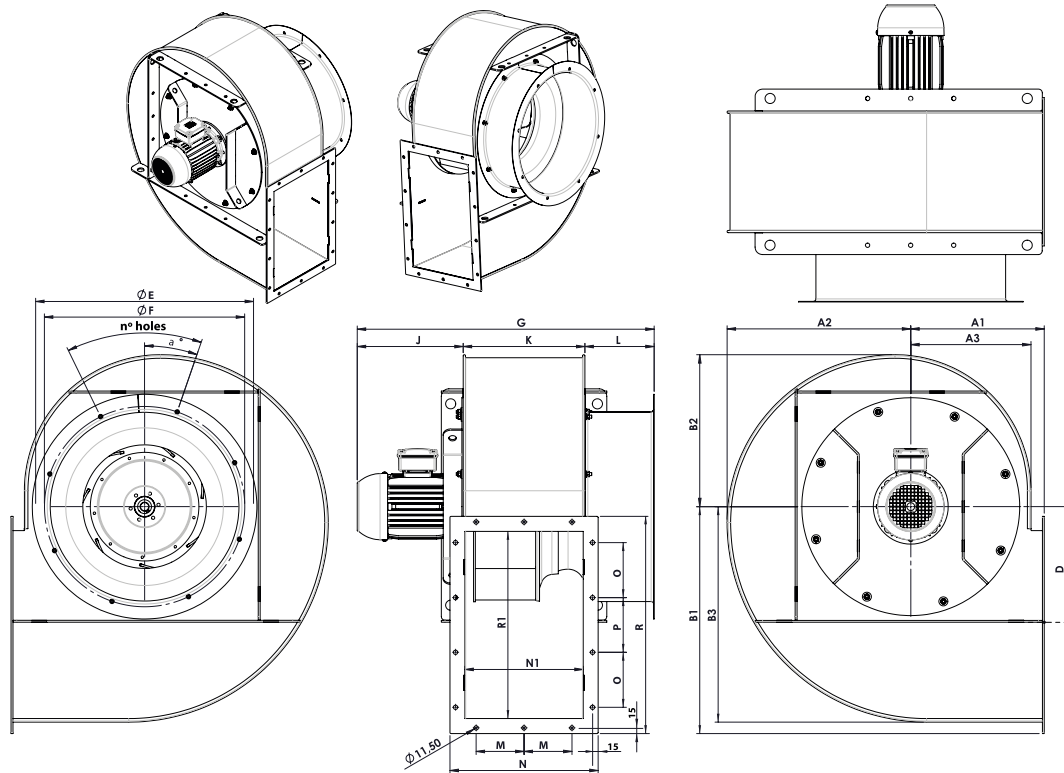
Fan data sheet		
Fan type	Centrifugal fan backward blades with casing	
Installation category	A: Outlet and Inlet free discharge	
Efficiency category	Static	
The fan has to be installed with VF	No	
Motor power (kW)	5.5	
	Fan values	ERP Requirements 2015
Max. efficiency (%)	70.5	58.11
Efficiency grade (N)	73.39	61
Pabs (kW)	5.306	
Flow (m³/h)	12539.25	
Static pressure (Pa)	1054.24	
Speed (m/s)	1460	



Fan values	ERP Requirements 2015
------------	-----------------------

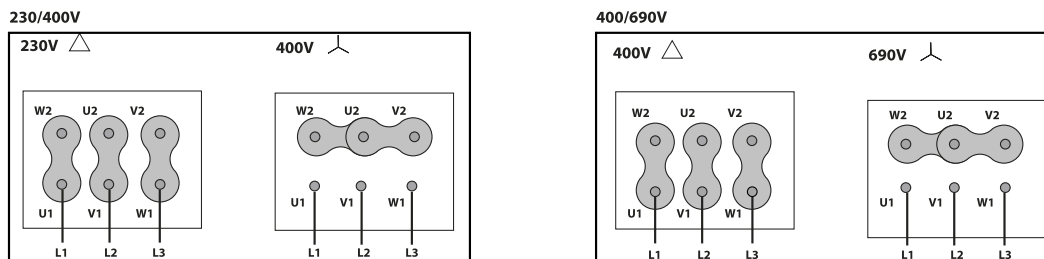
Specific ratio	1.01
----------------	------

## DIMENSIONS



Dimensions (mm)									
A1	437.6	A2	615.9	A3	402.1	B1	753.3	B2	509
B3	722.8	D	398.3	E	710	F	675	G	1045.3
J	408.3	K	452	L	185	M	192	N	523
N1	443	O	190	P	190	R	710	R1	630
a°	11,25°	n°holes	16x22,5°						

## WIRING DIAGRAM



## ACCESSORIES



**SAFETY SWITCH**  
INT 25 3P A  
REF: INT253PA



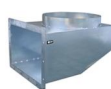
**CONNECTION FLANGE**  
AC 630  
REF: 960003216



**ANTI-VIBRATION JOINT**  
JE 45  
REF: 300719201



**CIRCULAR-CIRCULAR ANTI-VIBRATION FLANGE FOR STORM**  
BADS 630  
REF: BADS-6363



**OUTLET BEND FOR STORM FANS**  
CPS 630x443-630  
REF: CPS-6344363



**FREQUENCY SPEED CONTROLLER**  
SFC 400 III 12A \*  
REF: SFC400III12



**ANTI-VIBRATION SPRING BLOCK**  
AVS (GENERIC)



**INLET PROTECTION GUARD FOR CENTRIFUGAL FANS**  
RA 63/20  
REF: 254541901



**ANTI-VIBRATING FLANGE 400°/2H**  
BA-400 63  
REF: 960002057



**OUTLET FLANGE FOR STORM MODELS**  
EIS 630x443-630  
REF: EIS-6344363



**OUTLET PROTECTION GUARD FOR STORM FANS**  
RIS 630x443  
REF: RIS-63443E2



**RECTANGULAR-RECTANGULAR ANTI-VIBRATION FLANGE FOR STORM**  
BIDS 443x630-200  
REF: BIDS-63443



**ANTI-VIBRATION RUBBER BLOCK**  
AVR (GENERIC)



**ACOUSTIC CABINS FOR CENTRIFUGAL FANS**  
AB (GENERIC)

## SPARE PARTS

	Code	Model	Qty
1	R-BAD-N63V2	INLET CONE 630	x1
2	721001190	MOTOR 11KW T2 B5 400/690V	x1
3	721001182	MOTOR 5,5kW T4 B5 400/690V	x1