

HR200V

- Powered heat recovery module for smaller commercial applications
- Up to 70% heat recovery
- 150mm duct connection
- Extremely quiet on low speeds
- Low power consumption
- Washable heat exchanger
- Pre-wired to a flexible cable



A ducted heat recovery unit for residential or commercial applications. The HR200V is self-contained and includes two mixed flow speed controllable fans. Using a high performance, polymeric heat exchange cube together with two power fans, the HR200V can boast a temperature efficiency of up to 70%. Low speed for trickle ventilation mode.

Specially designed to provide ventilation for small internal rooms in commercial, educational and leisure applications. Ventilation is achieved by using nominal 150mm diameter ducting.

Models

Model	Stock Ref
HR200V	14120010

Accessory

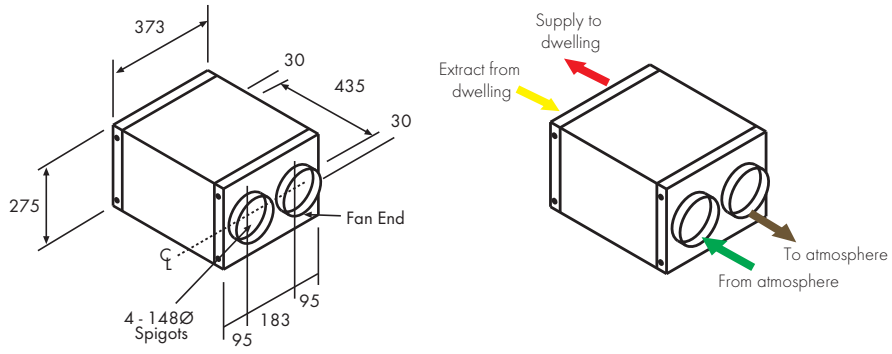
Model	Stock Ref
Transformer 150VA	563538

SEC Class

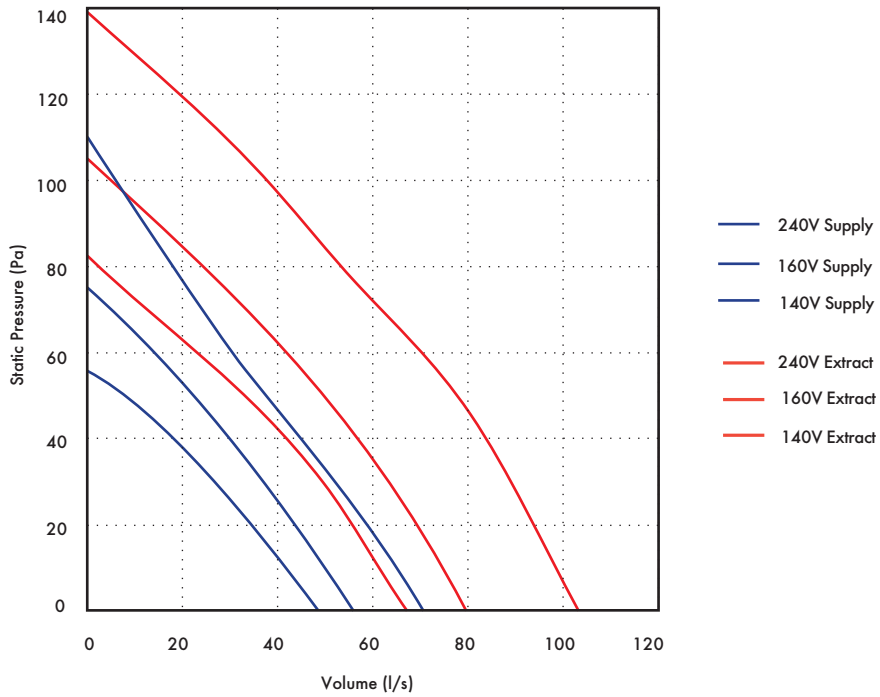
Model	SEC Class	SEC Class (inc. LDC)
HR200V	C	B

Dimensions (mm)

Weight: 15.5kg fan box, 5kg controller



Performance



Motor Speed	1	2	3
Voltage	140	160	240
Watts	51.5	60	110
Volume l/s (FID) Supply	48.3	55.8	70.3
Extract	241	286	371

HR200V to be used with a 150VA Transformer for maximum controllability.